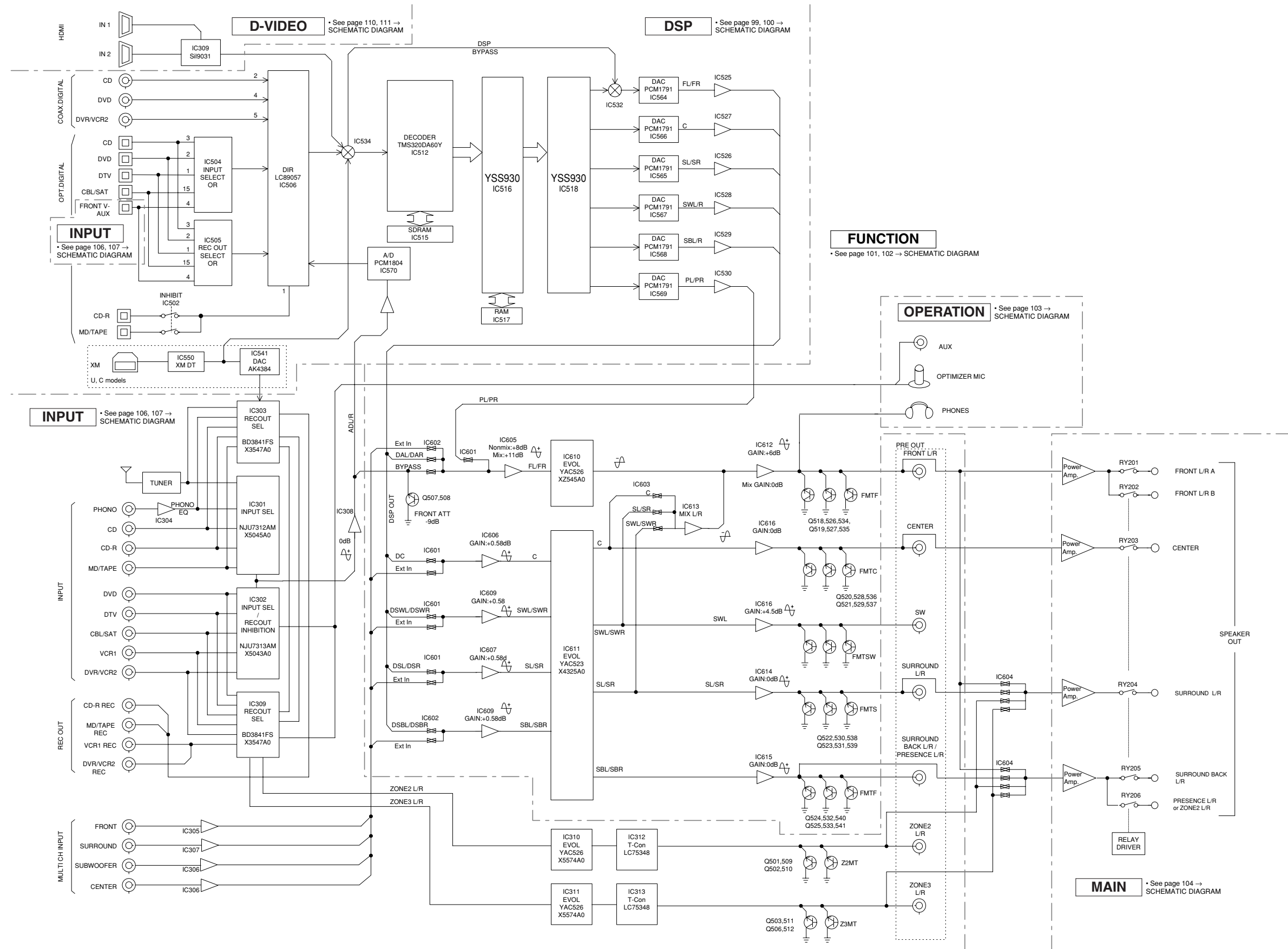
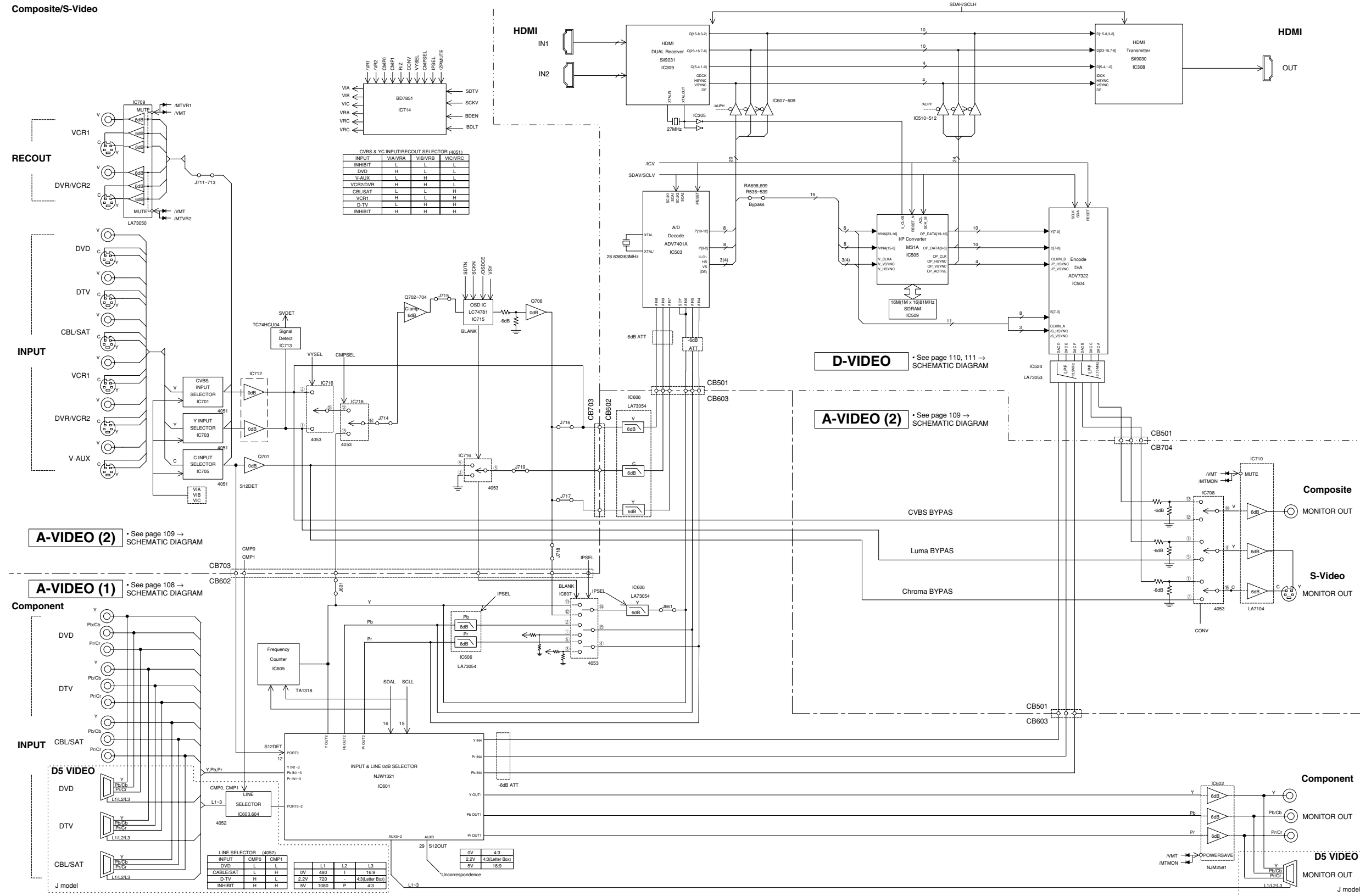


BLOCK DIAGRAM (1/3)



1
2
3
4
5
6
7

BLOCK DIAGRAM (2/3)



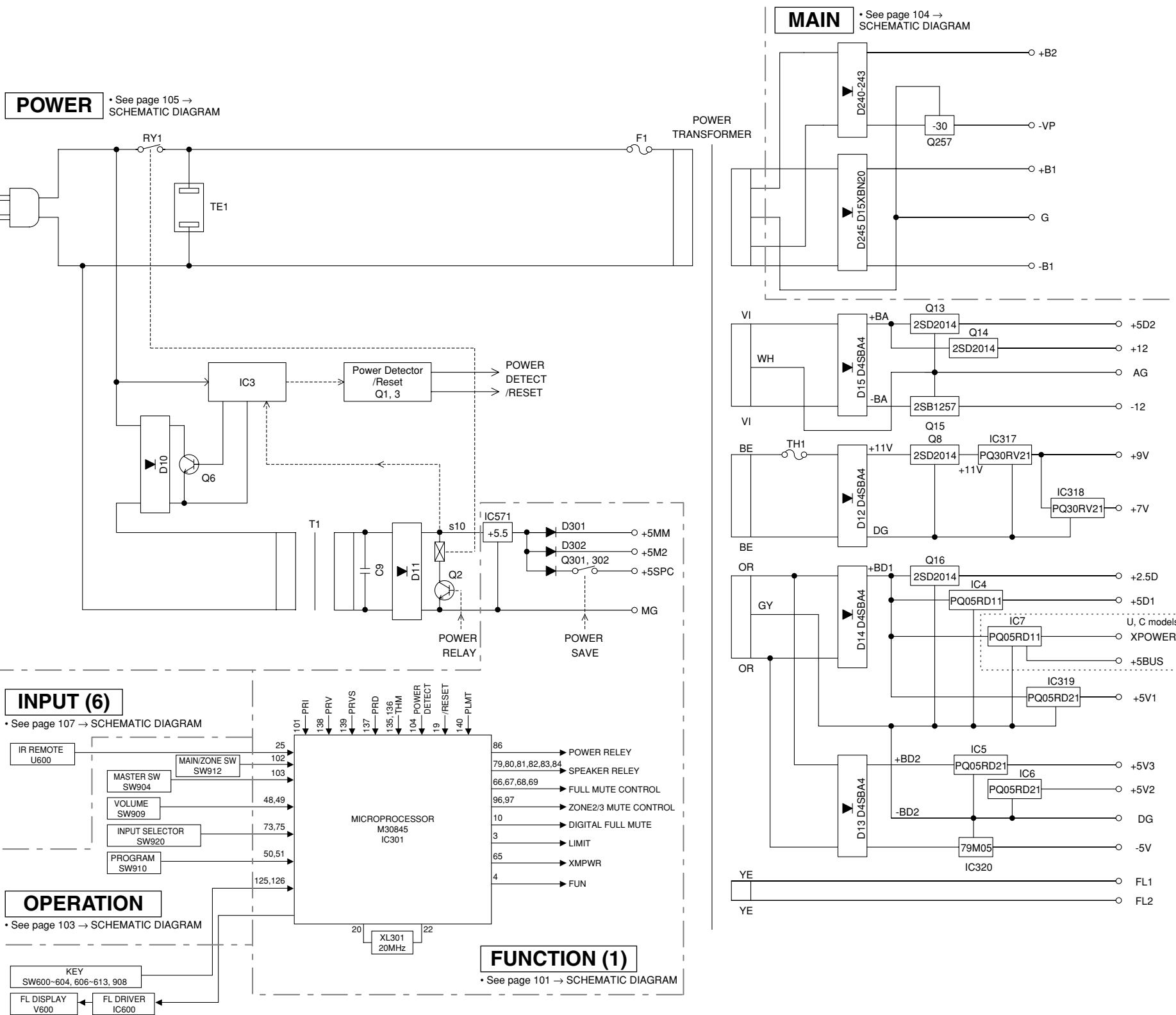
A-VIDEO (2) • See page 109 → SCHEMATIC DIAGRAM

A-VIDEO (1) • See page 108 → SCHEMATIC DIAGRAM

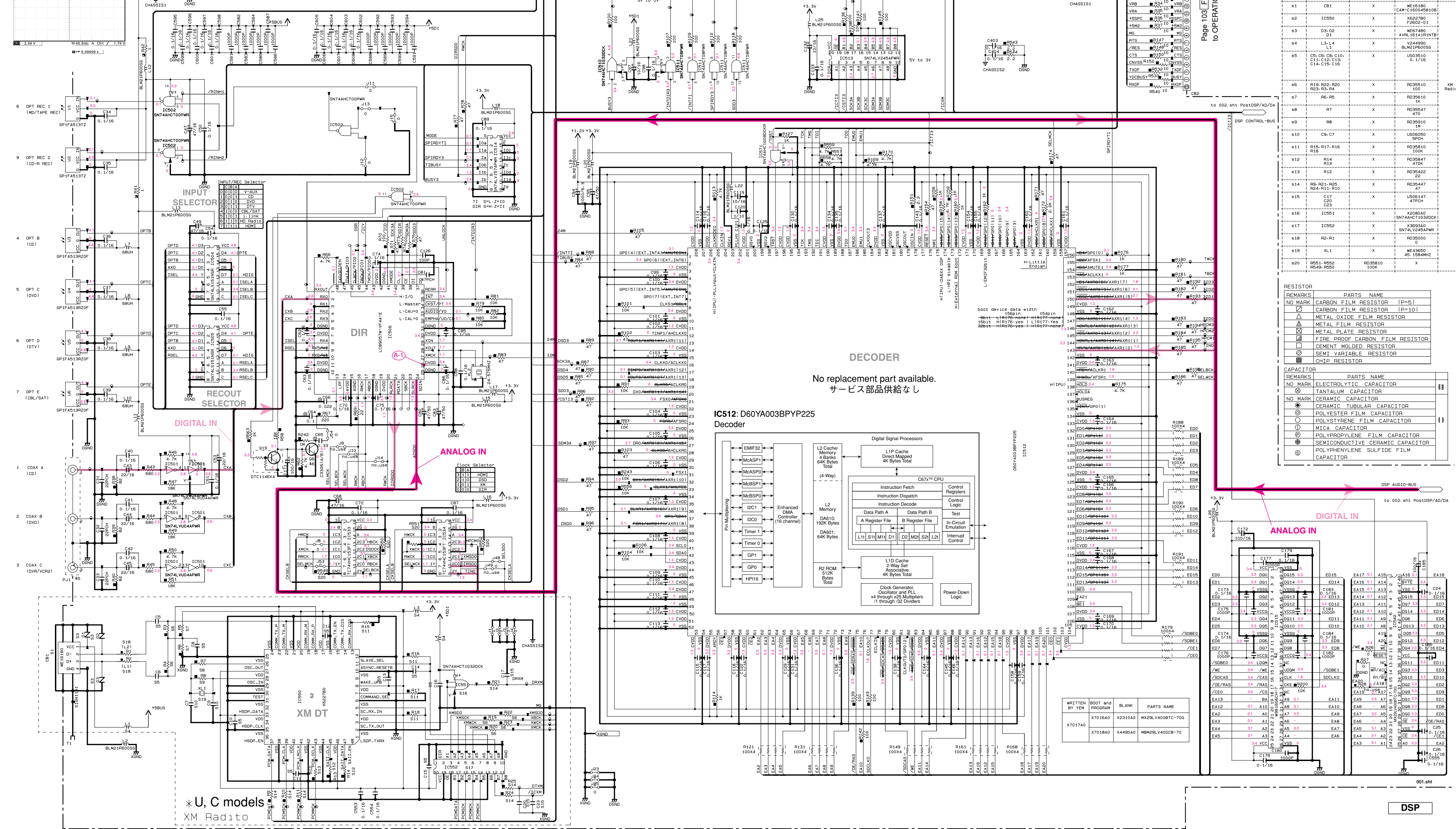
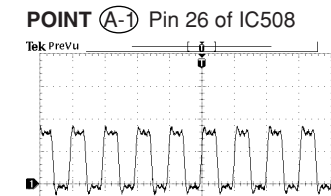
D-VIDEO • See page 110, 111 → SCHEMATIC DIAGRAM

A-VIDEO (2) • See page 109 → SCHEMATIC DIAGRAM

BLOCK DIAGRAM (3/3)



Page 105 [G7] to POWER (5)_W7, Page 103 [F3] to OPERATION (3)_CB904, Page 101 [J2] to FUNCTION (1)_CB317, Page 101 [J3] to FUNCTION (1)_CB318, Page 101 [J4] to FUNCTION (1)_CB319



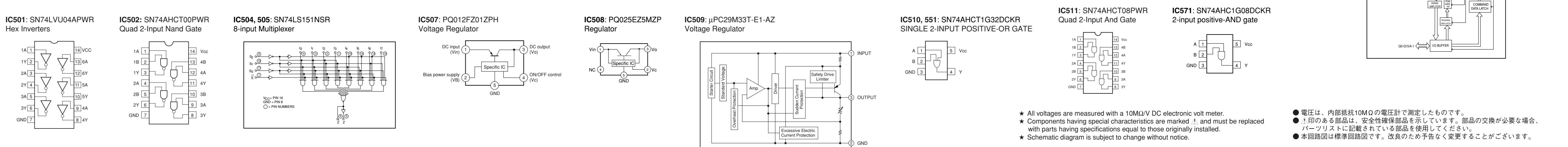
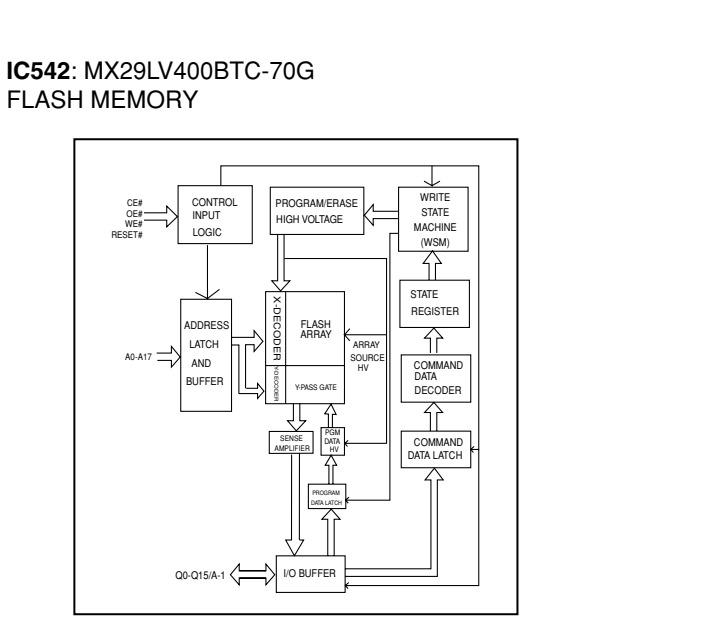
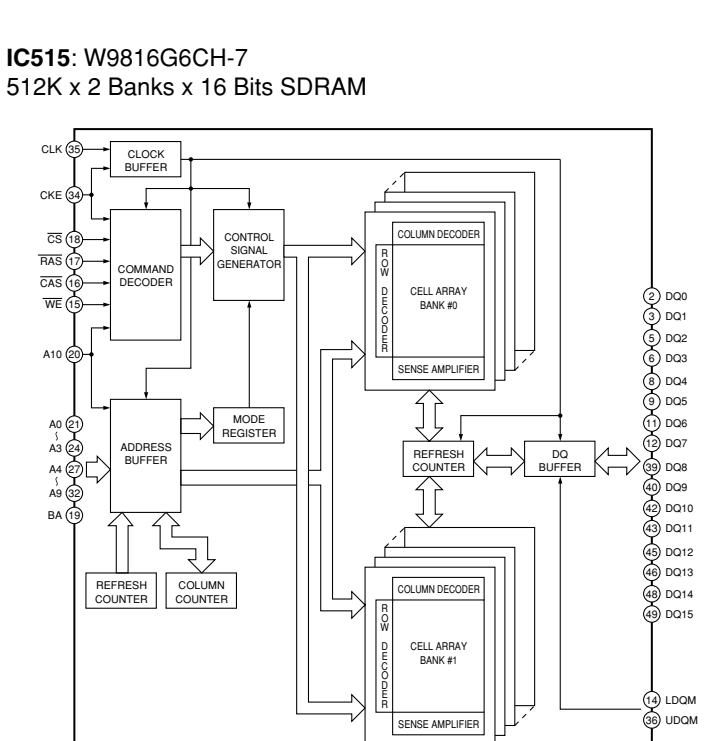
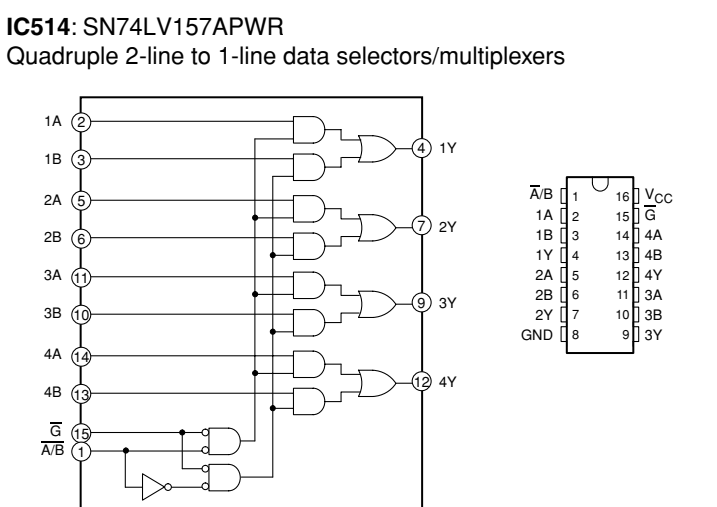
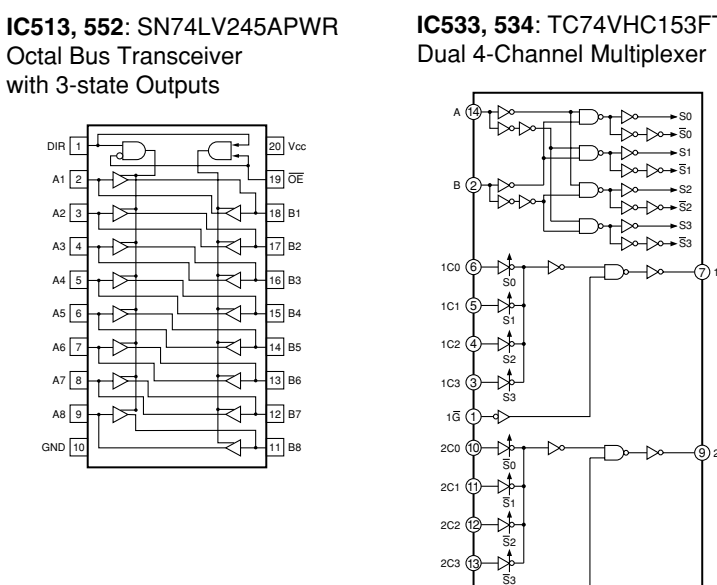
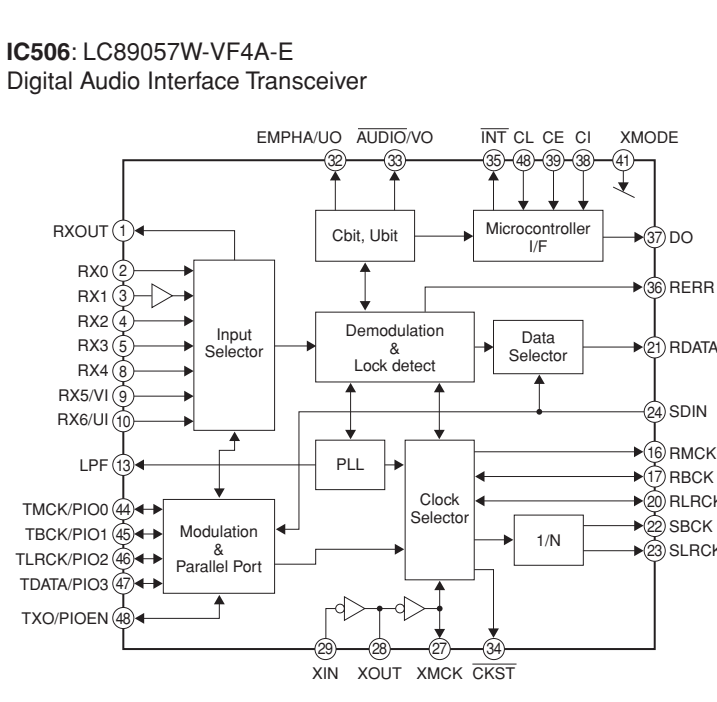
NOTICE (model) (J) JAPAN (U) U.S.A (C) CANADA (A) GENERAL (T) CHINA (K) KOREA (A) AUSTRALIA (B) BRITISH (G) EUROPE (L) SINGAPORE (E) SOUTH EUROPE (V) TAIWAN

Interchangeable Parts at Manufacture-Stage table with columns: Mark, Reference Parts Number, Parts Name.

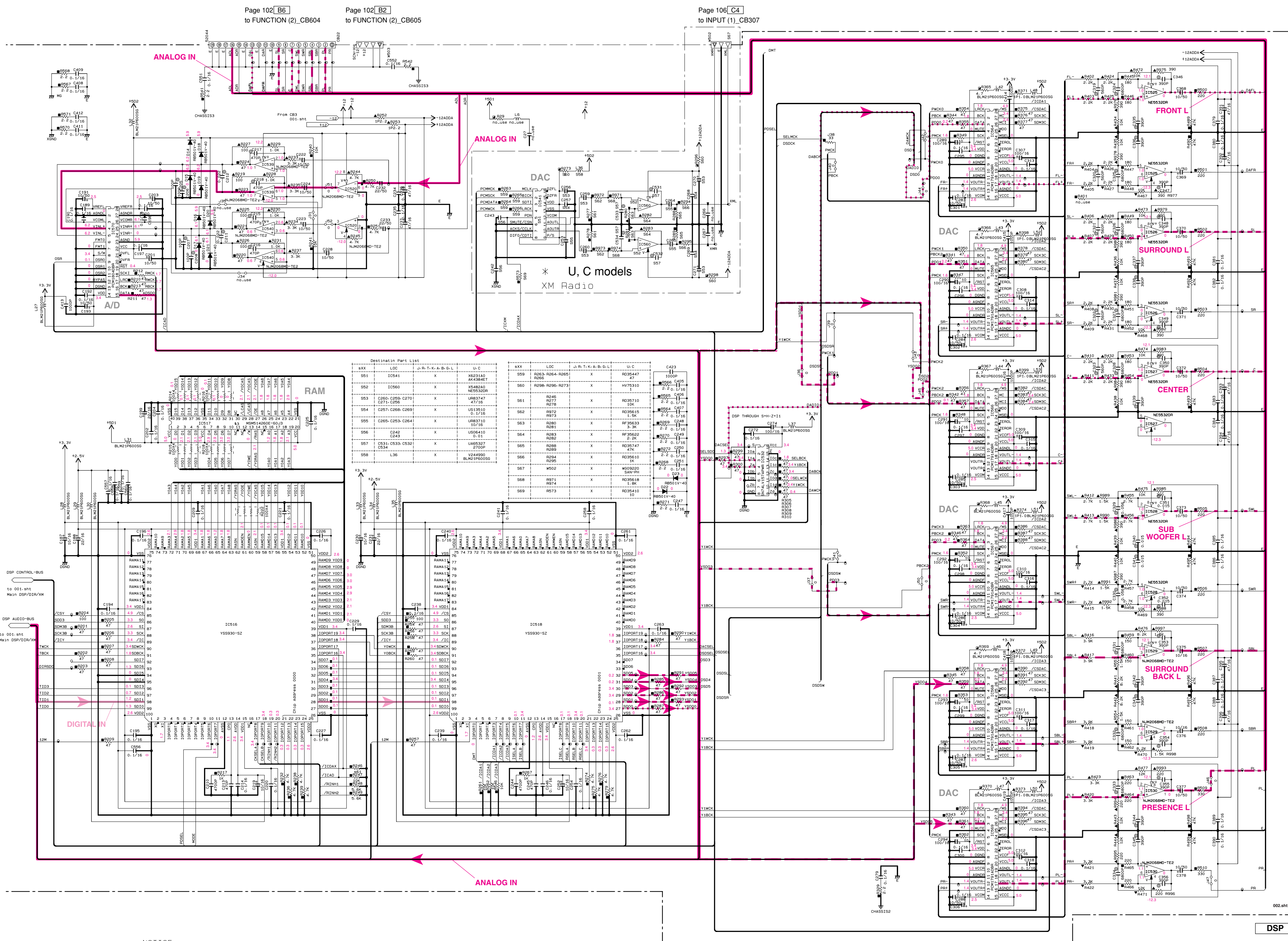
Destination Part List table with columns: Mark, Loc, U.C. Model, U.C. Part Name.

- RESISTOR PARTS NAME: CARBON FILM RESISTOR, METAL OXIDE FILM RESISTOR, METAL FILM RESISTOR, FINE PROF CARBON FILM RESISTOR, CEMENT MOLDED RESISTOR, SEMI VARIABLE RESISTOR, CHIP RESISTOR.

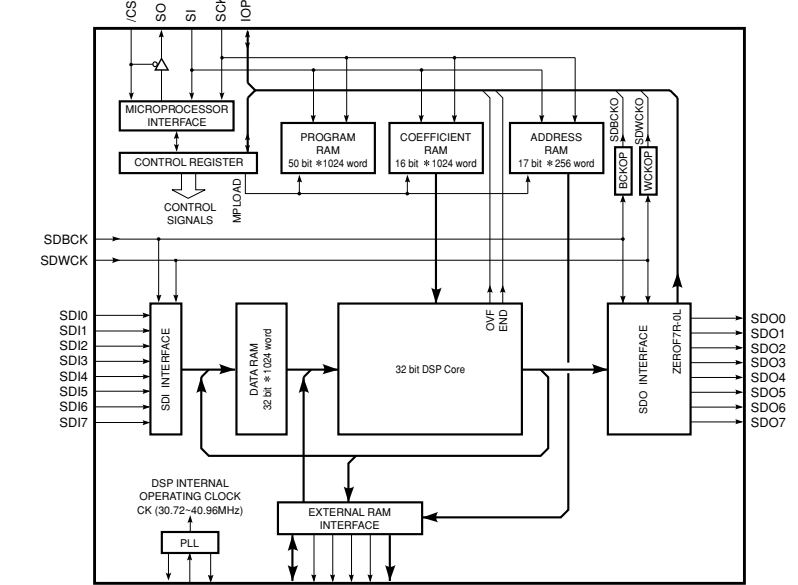
- CAPACITOR PARTS NAME: ELECTROLYTIC CAPACITOR, TANTALUM CAPACITOR, CERAMIC CAPACITOR, CERAMIC TUBULAR CAPACITOR, POLYESTER FILM CAPACITOR, POLYSTYRENE FILM CAPACITOR, MYICA CAPACITOR, POLYPROPYLENE FILM CAPACITOR, SEMI CONDUCTIVE CERAMIC CAPACITOR, POLYPHENYLENE SULFIDE FILM CAPACITOR.



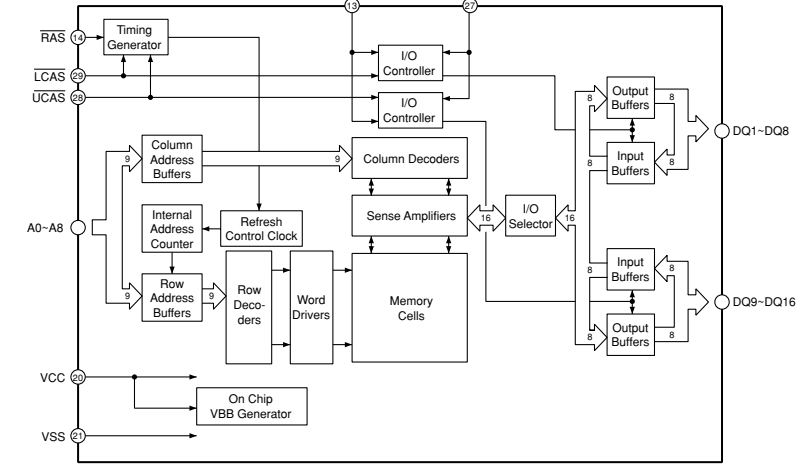
* All voltages are measured with a 10MΩ/V DC electronic volt meter. * 電圧は、内部抵抗10MΩの電圧計で測定したものです。 * Components having special characteristics are marked !, and must be replaced with parts having specifications equal to those originally installed. * 印のある部品は、安全確保部品を示しています。部品の交換が必要な場合、必ずこのマークに記載されている部品を使用してください。 * Schematic diagram is subject to change without notice. * 本回路図は標準回路図です。改良のため予告なく変更することがございます。



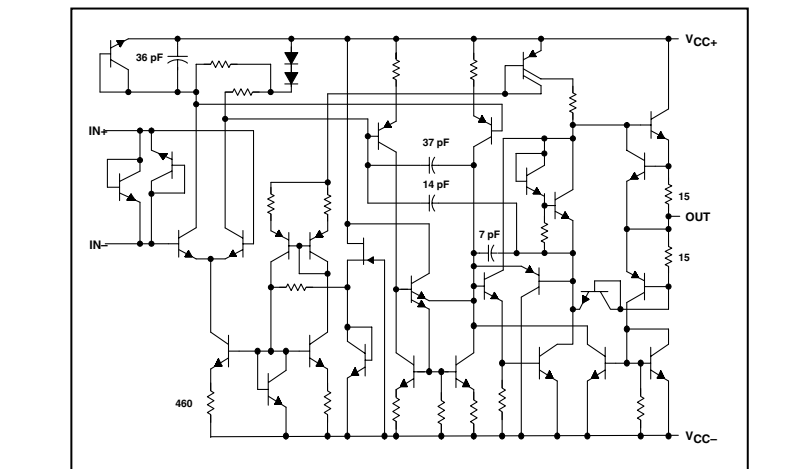
IC516, 518: YSS930-SZ DSP



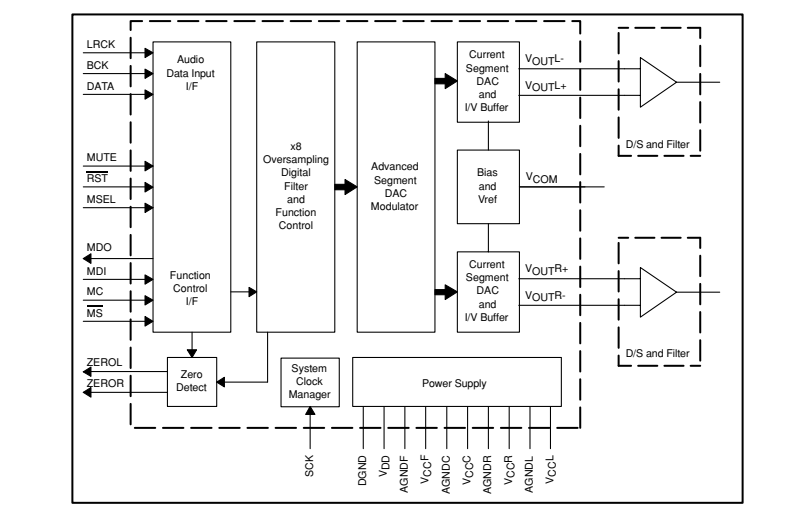
IC517: MSM514260E-60JS 4Mbit DRAM



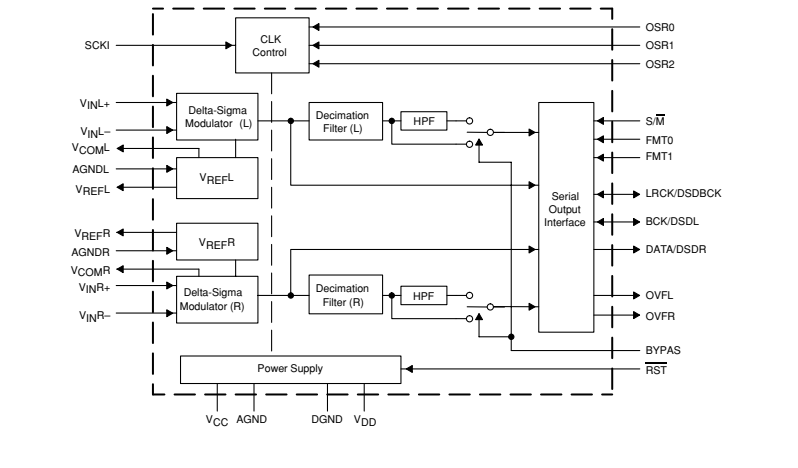
IC560: NE5532DR DUAL LOW-NOISE OPERATIONAL AMPLIFIERS



IC564-569: PCM1791ADBR Audio stereo digital-to-analog converter

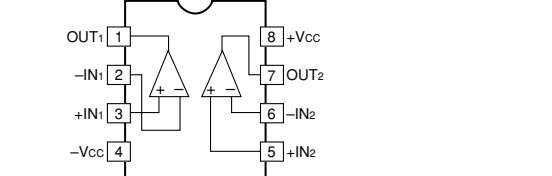


IC570: PCM1804DBR Stereo A/D converter

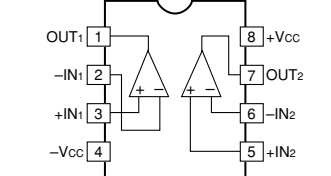


NOTICE (model)
 (J)..... JAPAN
 (U)..... U.S.A.
 (C)..... CANADA
 (R)..... GENERAL
 (T)..... CHINA
 (K)..... KOREA
 (A)..... AUSTRALIA
 (B)..... BRITISH
 (G)..... EUROPE
 (L)..... SINGAPORE
 (E)..... SOUTH EUROPE
 (V)..... TAIWAN

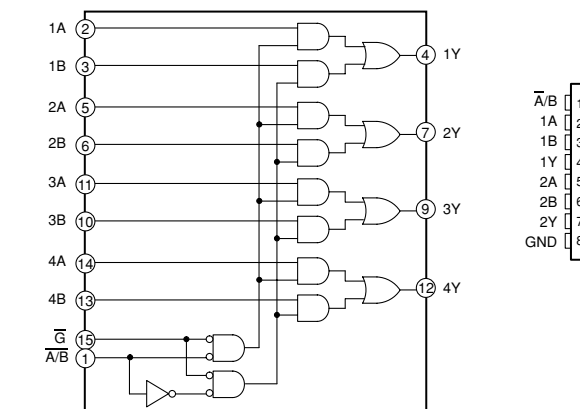
IC520, 529, 530, 539, 540: NJM2068MD-TE2 Dual OP-Amp



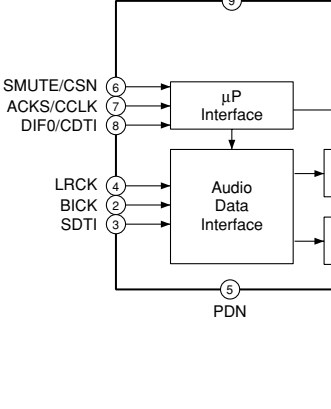
IC525-528: NE5532DR Dual OP-Amp



IC532: SN74L157APWR Quaduple 2-line to 1-line data selectors/multiplexers

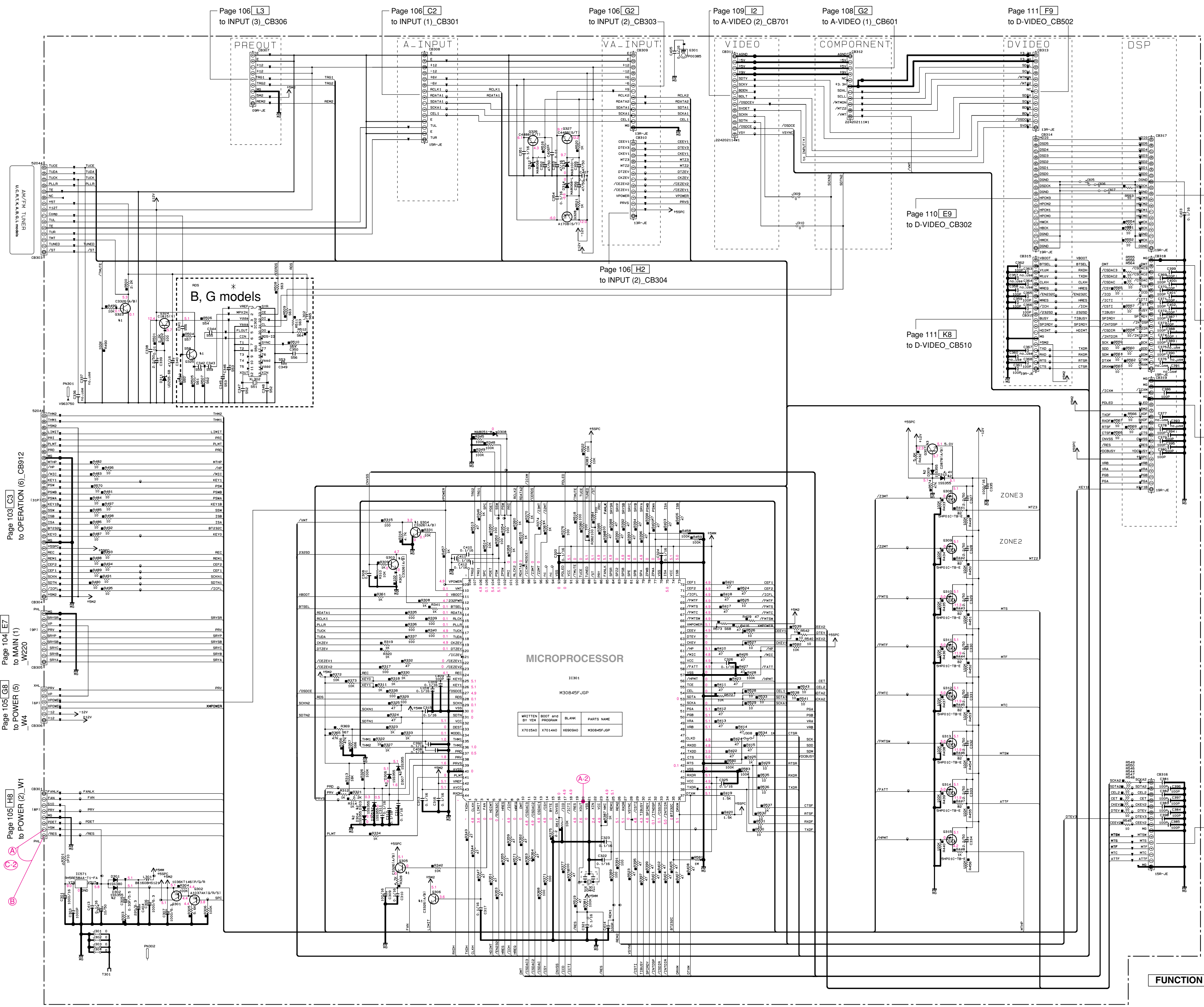


IC541: AK4384ET D/A Converter

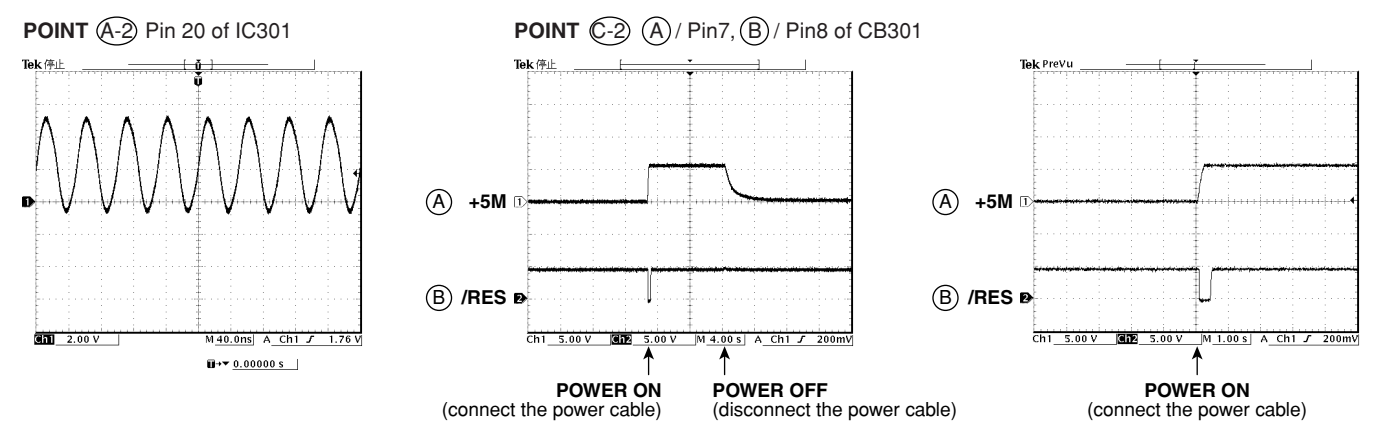
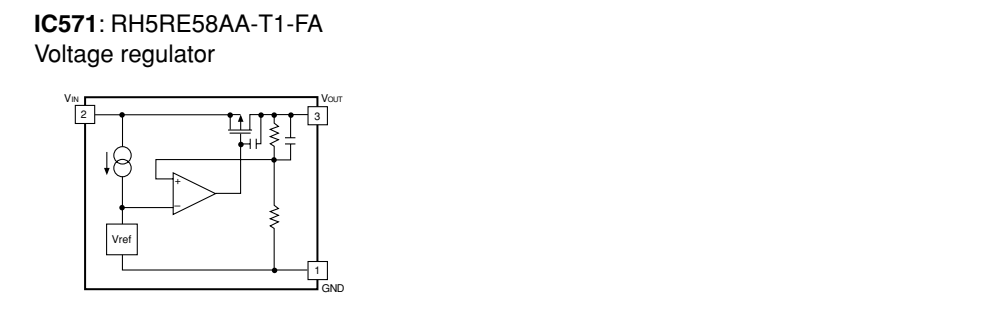
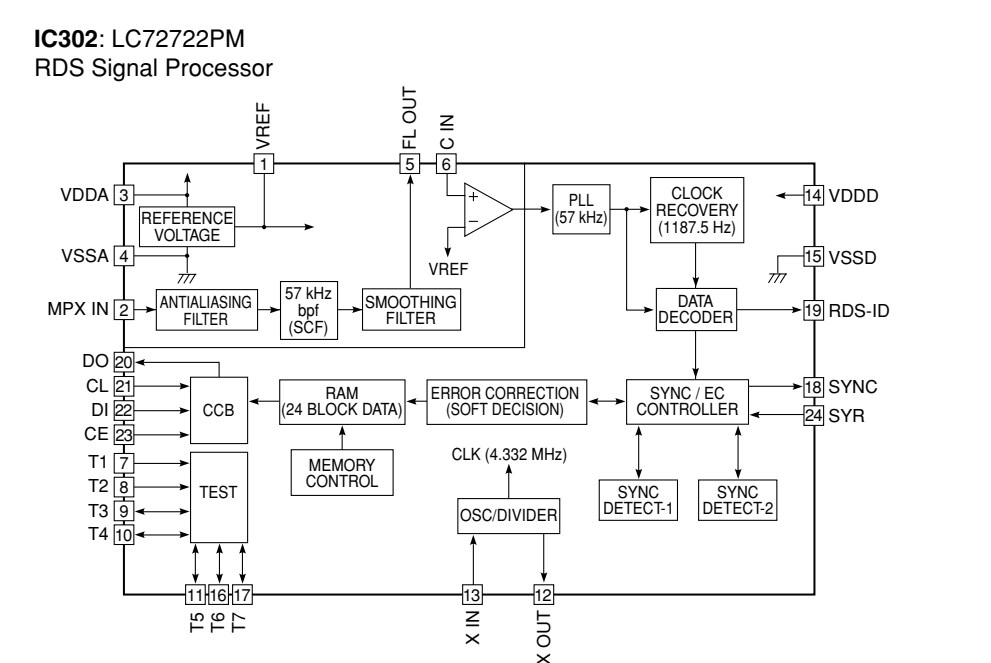


* All voltages are measured with a 10MΩ/V DC electronic volt meter.
 * Components having special characteristics are marked ♪ and must be replaced with parts having specifications equal to those originally installed.
 * Schematic diagram is subject to change without notice.

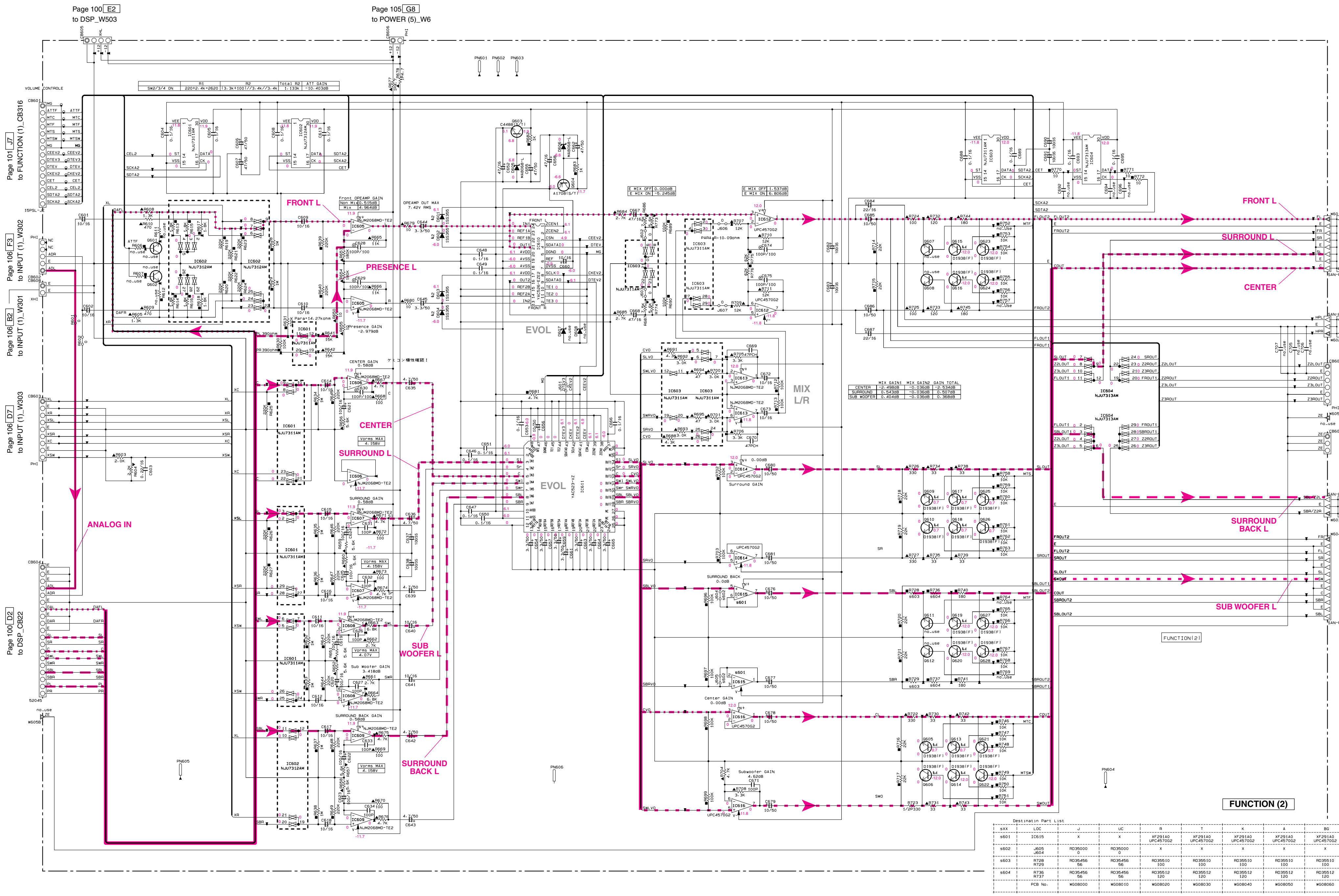
● 電圧は、内部抵抗10MΩの電圧計で測定したものです。
 ● ♪印のある部品は、安全性確保部品を示しています。部品の交換が必要な場合、パーツリストに記載されている部品を使用してください。
 ● 本回路図は標準回路図です。改良のため予告なく変更することがございます。



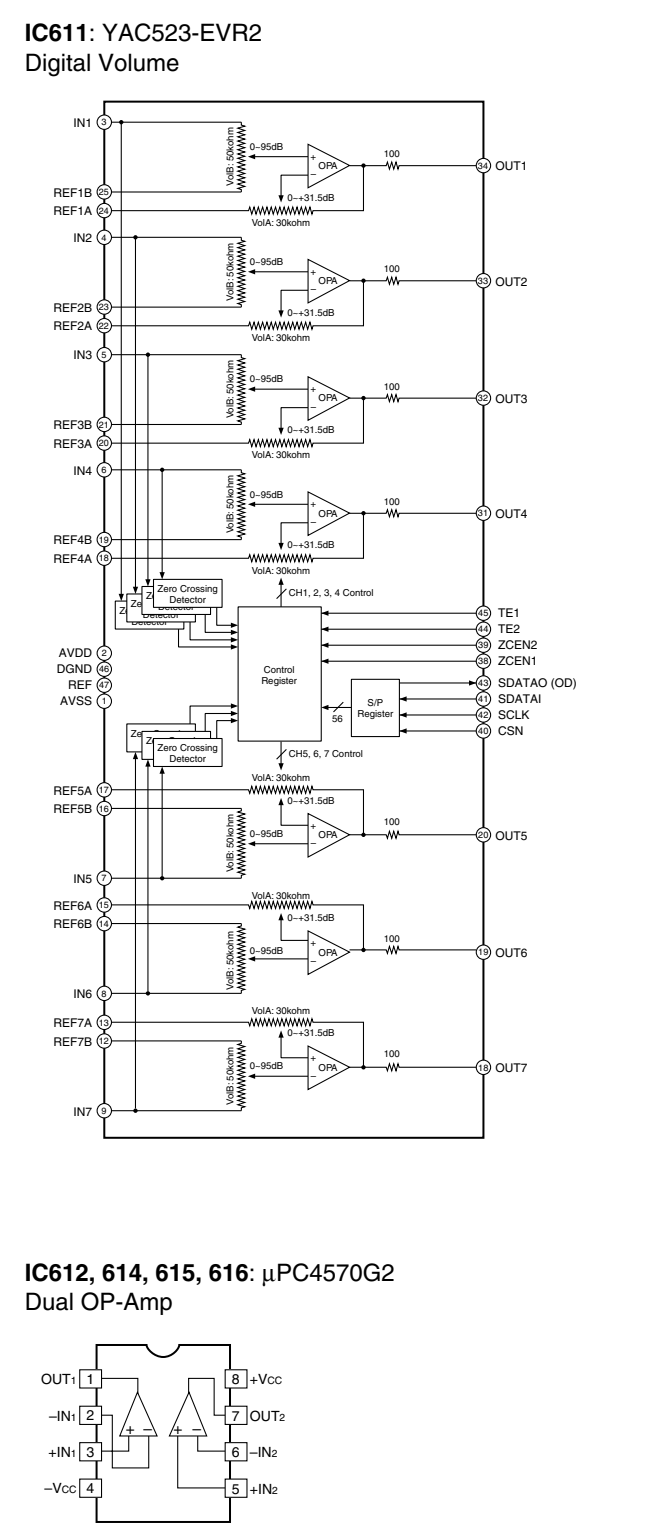
Destination Part List	Part Name	Part No.	Quantity	Remarks
981	LC	LC	1	
982	LC	LC	1	
983	LC	LC	1	
984	LC	LC	1	
985	LC	LC	1	
986	LC	LC	1	
987	LC	LC	1	
988	LC	LC	1	
989	LC	LC	1	
990	LC	LC	1	
991	LC	LC	1	
992	LC	LC	1	
993	LC	LC	1	
994	LC	LC	1	
995	LC	LC	1	
996	LC	LC	1	
997	LC	LC	1	
998	LC	LC	1	
999	LC	LC	1	
1000	LC	LC	1	



* All voltages are measured with a 10MΩ/V DC electronic volt meter.
 ● 電圧は、内部抵抗10MΩの電圧計で測定したものです。
 ● 1印のある部品は、安全性確保部品を示しています。部品の交換が必要な場合、パーツリストに記載されている部品を使用してください。
 ● 本回路図は標準回路図です。改良のため予告なく変更することがございます。



Page 101 [J7] to FUNCTION (1)_CB316
 Page 106 [E3] to INPUT (1)_W302
 Page 106 [E2] to INPUT (1)_W301
 Page 106 [D7] to INPUT (1)_W303
 Page 100 [D2] to DSP_CB22
 Page 105 [A4] to POWER (1)_CB40
 Page 103 [E7] to OPERATION (3)
 Page 106 [L5] to INPUT (2)
 Page 106 [F8] to POWER (2)
 Page 105 [E3] to POWER (4)
 Page 106 [L7] to INPUT (3)_CB332
 Page 106 [E3] to INPUT (4)
 Page 106 [L7] to INPUT (3)_CB332

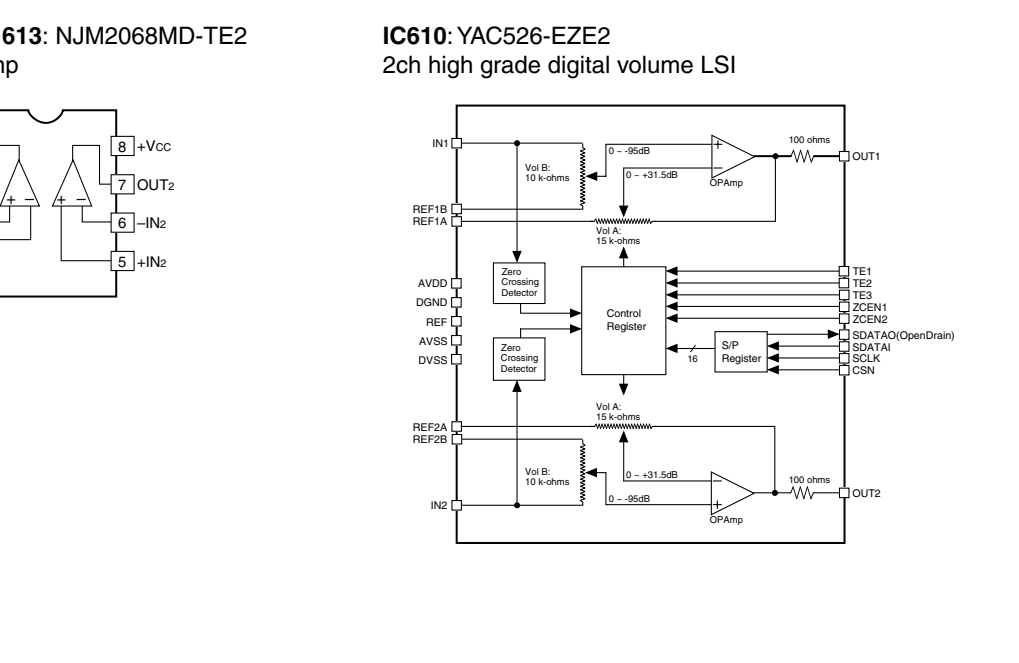
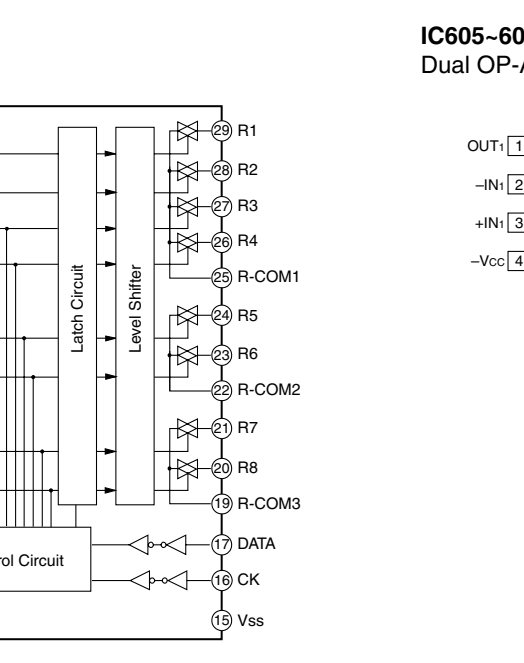
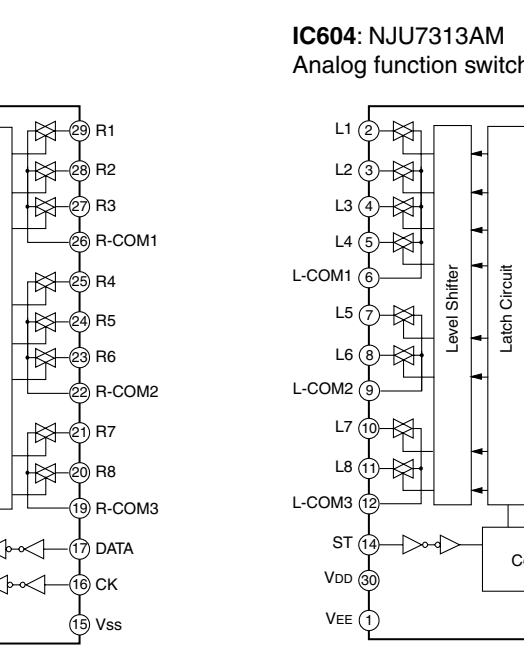
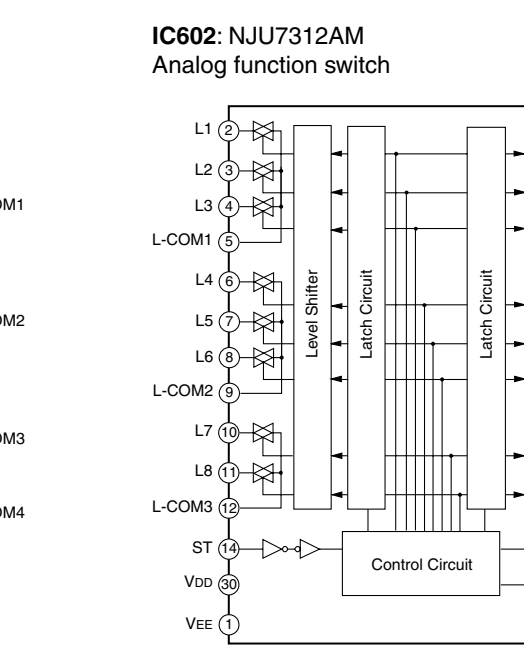
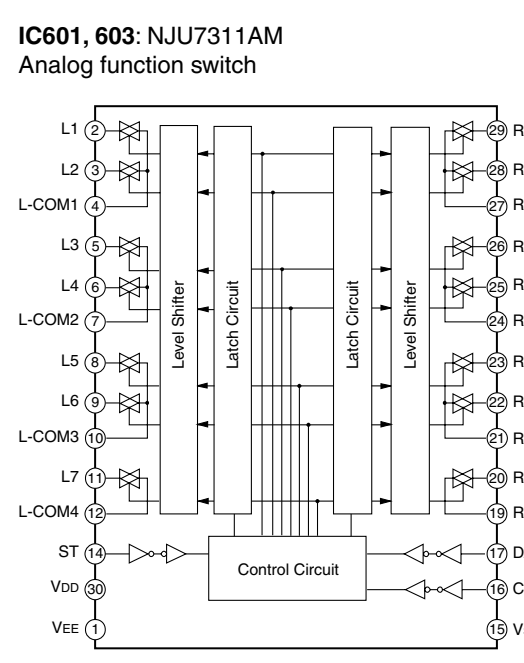


設計値	実測値	設計値	実測値	
TOTAL	TOTAL	TOTAL	TOTAL	
FRONT	0.0	12.5	1.5	14.0
CENTER	0.0	14.0	0.0	14.0
SURROUND	0.0	14.0	0.0	14.0
SURROUND BACK	0.0	14.0	0.0	14.0
SUB WOOFER	0.0	14.0	0.0	14.0
ZONE 1_ZONE3	0.0	14.0	0.0	14.0

設計値	実測値	設計値	実測値	
TOTAL	TOTAL	TOTAL	TOTAL	
FRONT	0.515	12.5	1.537	14.552
CENTER	0.584	14.0	0.0	14.584
SURROUND	0.584	14.0	0.0	14.584
SURROUND BACK	0.584	14.0	0.0	14.584
SUB WOOFER	0.515	14.0	0.0	14.537
ZONE 1_ZONE3	0.0	14.0	0.0	14.552

REMARKS	PARTS NAME
NO MARK	ELECTROLYTIC CAPACITOR
○	TANTALUM CAPACITOR
NO MARK	CERAMIC CAPACITOR
●	CERAMIC TUBULAR CAPACITOR
○	POLYESTER FILM CAPACITOR
○	POLYSTYRENE FILM CAPACITOR
○	MICA CAPACITOR
○	POLYPROPYLENE FILM CAPACITOR
○	SEMICONDUCTIVE CERAMIC CAPACITOR
○	POLYPHENYLENE SULFIDE FILM CAPACITOR

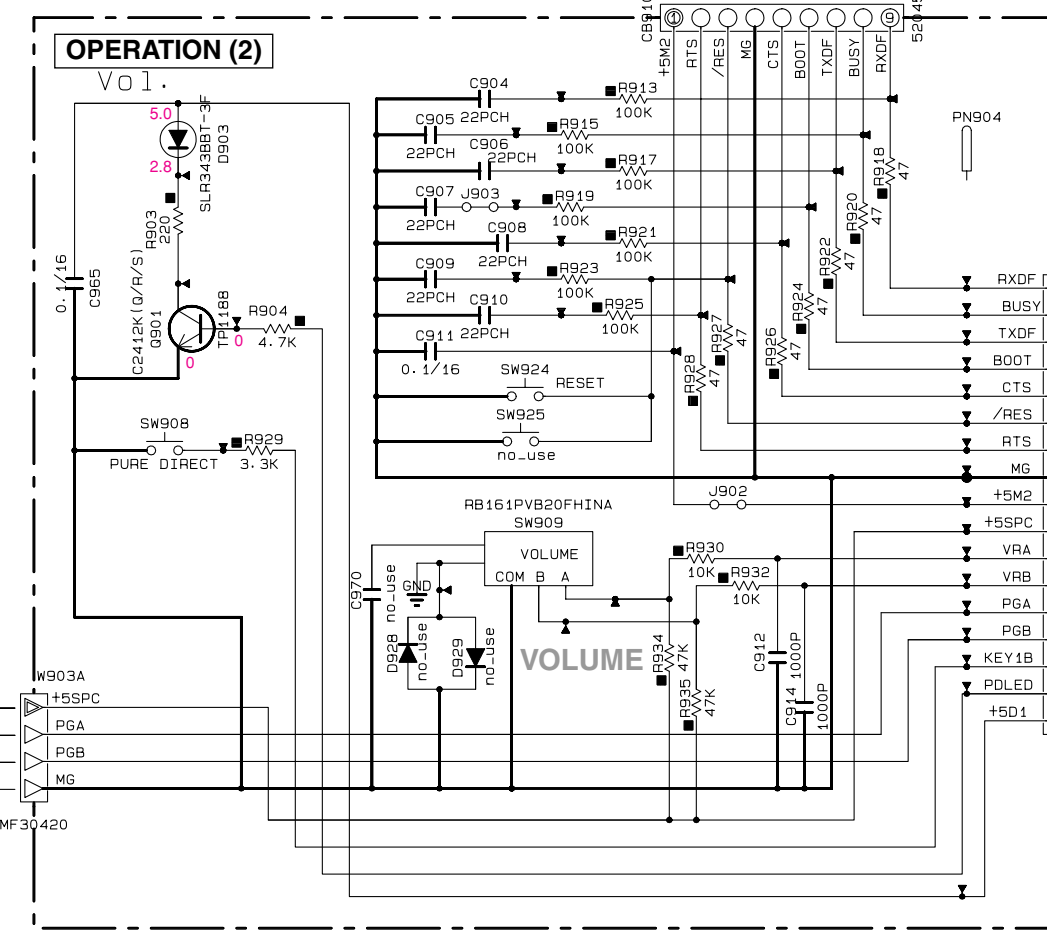
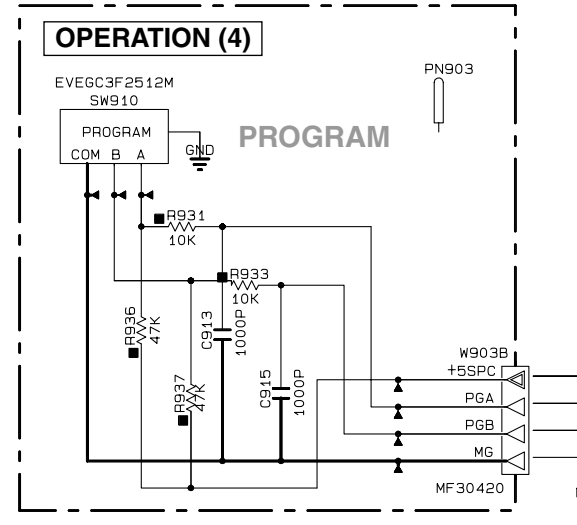
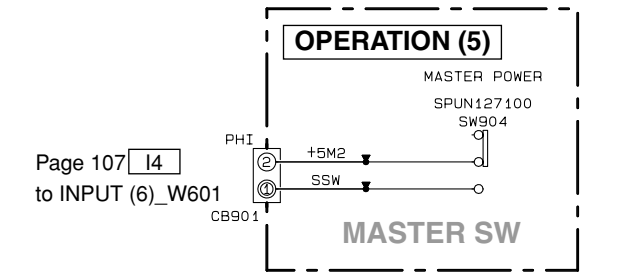
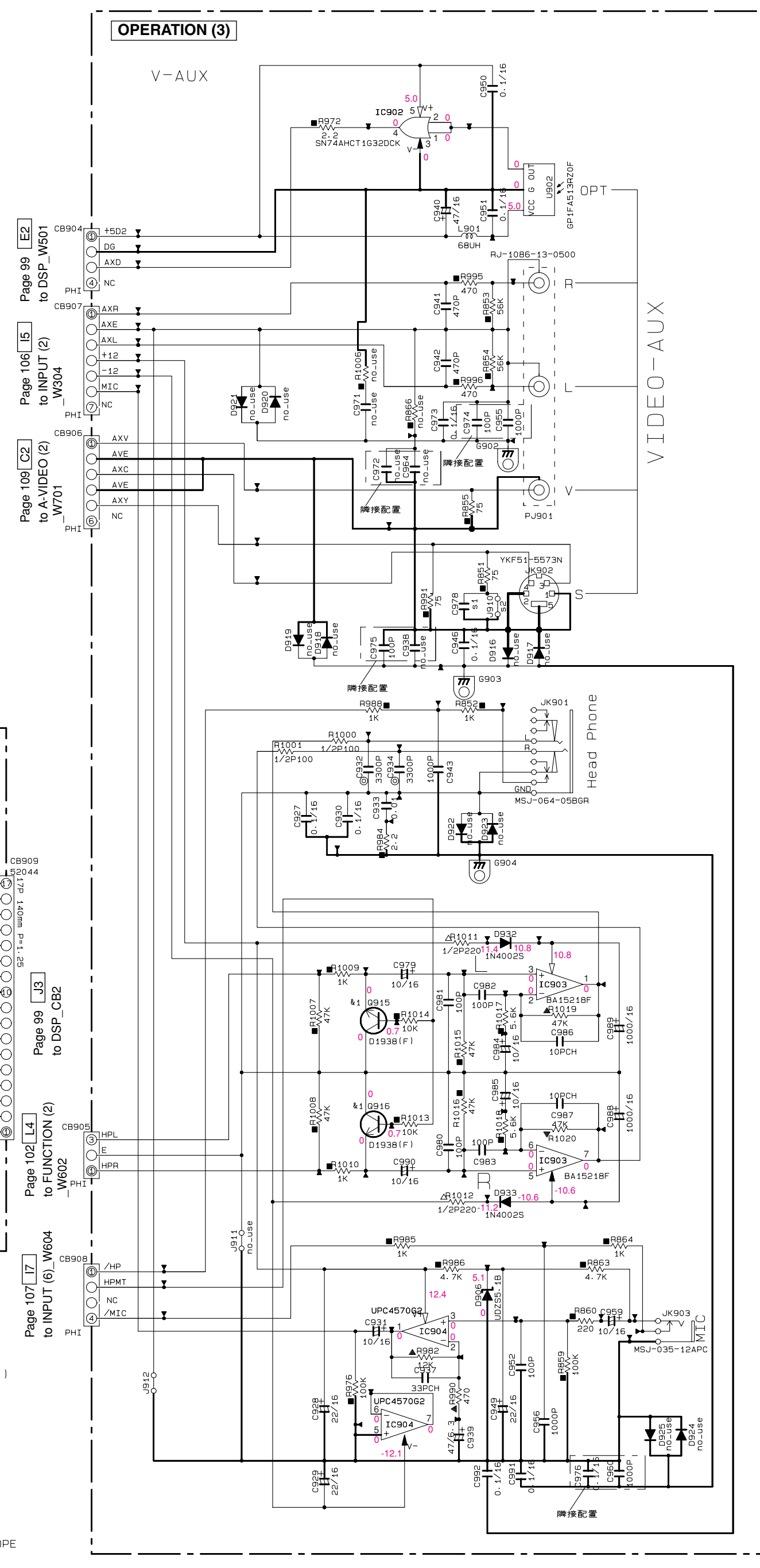
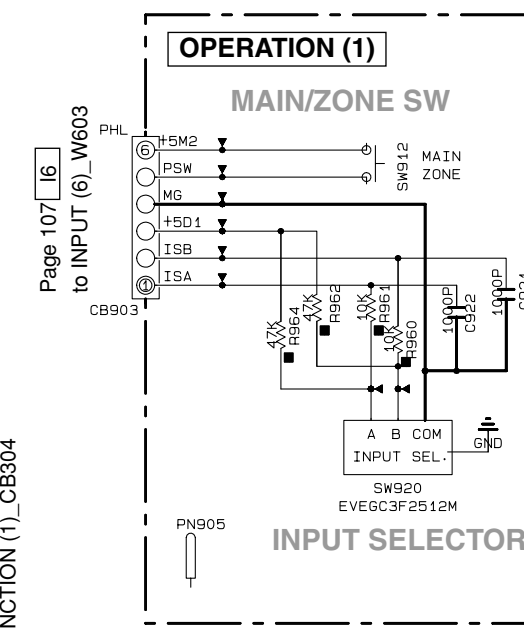
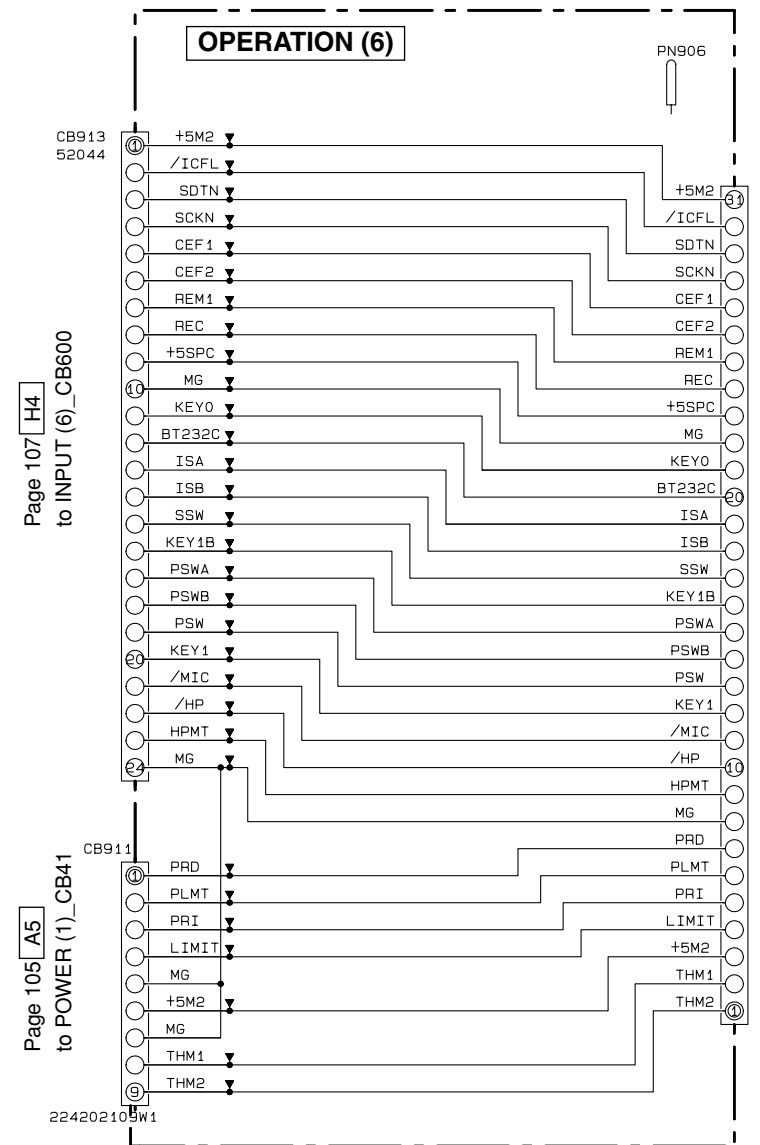
REMARKS	PARTS NAME
NO MARK	CARBON FILM RESISTOR (P=5)
○	CARBON FILM RESISTOR (P=10)
△	METAL OXIDE FILM RESISTOR
○	METAL FILM RESISTOR
○	METAL PLATE RESISTOR
○	FINE PROOF CARBON FILM RESISTOR
○	CEMENT MOLDED RESISTOR
○	SEMI-VARIABLE RESISTOR
■	CHIP RESISTOR



★ All voltages are measured with a 10MΩ/V DC electronic volt meter.
 ★ Components having special characteristics are marked △ and must be replaced with parts having specifications equal to those originally installed.
 ★ Schematic diagram is subject to change without notice.

● 電圧は、内部抵抗10MΩの電圧計で測定したものです。
 ● △印のある部品は、安全性確保部品を示しています。部品の交換が必要な場合、パーツリストに記載されている部品を使用してください。
 ● 本回路図は標準回路図です。改良のため予告なく変更することがございます。

SCHEMATIC DIAGRAM (OPERATION)



Interchangeable Parts at Manufacture-Stage

Mark	Reference Parts Number	Parts Name
41	0915-916	2S019381F1 2SC33261A/B1 2SC5938A1A/B1 2S00704K

Destination Part List

sxx	LOC	JIC	RTLKLABG
s1	C978	US13510	X
s2	J910	0.1/16	X
		RD95000	0

NOTICE (mode)

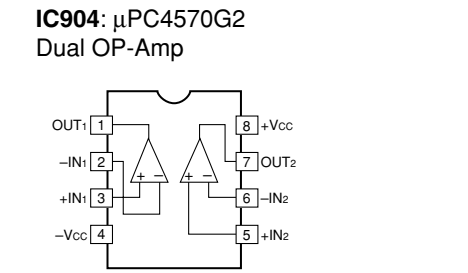
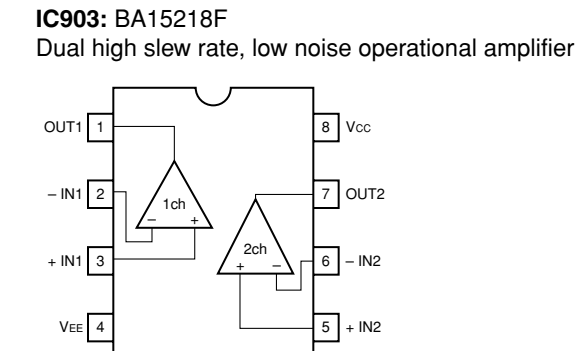
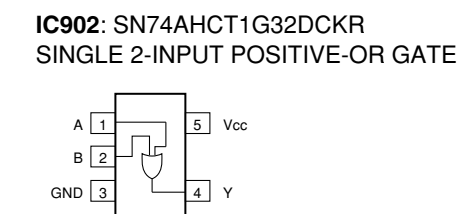
(J)..... JAPAN
(U)..... U.S.A
(C)..... CANADA
(R)..... GENERAL
(T)..... CHINA
(K)..... KOREA
(A)..... AUSTRALIA
(B)..... BRITISH
(G)..... EUROPE
(L)..... SINGAPORE
(E)..... SOUTH EUROPE
(V)..... TAIWAN

RESISTOR

REMARKS	PARTS NAME
NO MARK	CARBON FILM RESISTOR (P=5)
□	CARBON FILM RESISTOR (P=10)
△	METAL OXIDE FILM RESISTOR
▲	METAL FILM RESISTOR
⊠	METAL PLATE RESISTOR
■	FIRE PROOF CARBON FILM RESISTOR
□	CEMENT MOLDED RESISTOR
⊞	SEMI VARIABLE RESISTOR
■	CHIP RESISTOR

CAPACITOR

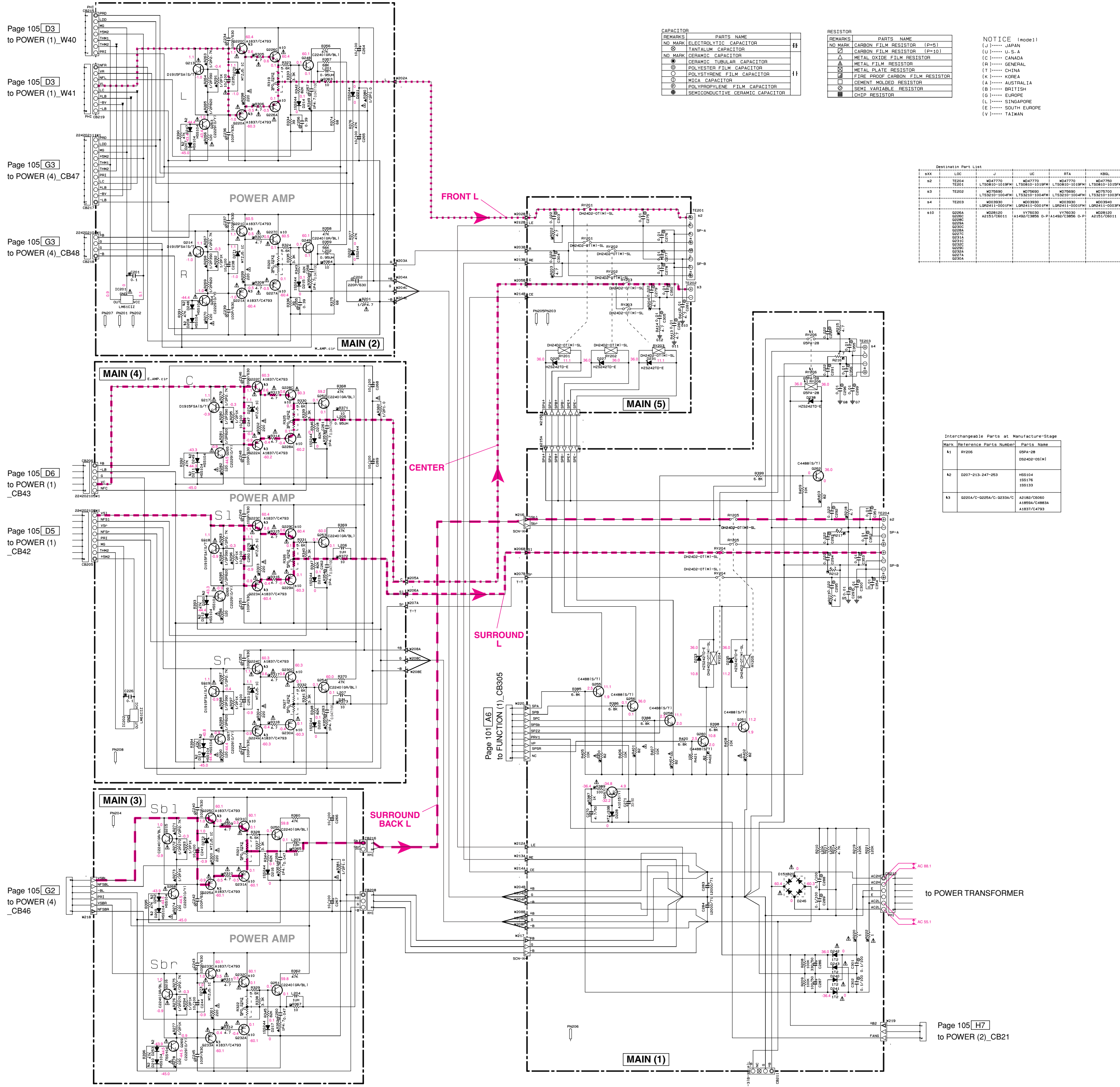
REMARKS	PARTS NAME
NO MARK	ELECTROLYTIC CAPACITOR
⊗	TANTALUM CAPACITOR
NO MARK	CERAMIC CAPACITOR
●	CERAMIC TUBULAR CAPACITOR
⊙	POLYESTER FILM CAPACITOR
○	POLYSTYRENE FILM CAPACITOR
⊖	MICA CAPACITOR
⊙	POLYPROPYLENE FILM CAPACITOR
⊕	SEMICONDUCTIVE CERAMIC CAPACITOR



* All voltages are measured with a 10MΩ/V DC electronic volt meter.
* Components having special characteristics are marked ♯, and must be replaced with parts having specifications equal to those originally installed.
* Schematic diagram is subject to change without notice.

● 電圧は、内部抵抗10MΩの電圧計で測定したものです。
● ♯印のある部品は、安全性確保部品を示しています。部品の交換が必要な場合、パーツリストに記載されている部品を使用してください。
● 本回路図は標準回路図です。改良のため予告なく変更することがございます。

RX-V1600/DSP-AX1600
SCHEMATIC DIAGRAM (MAIN)

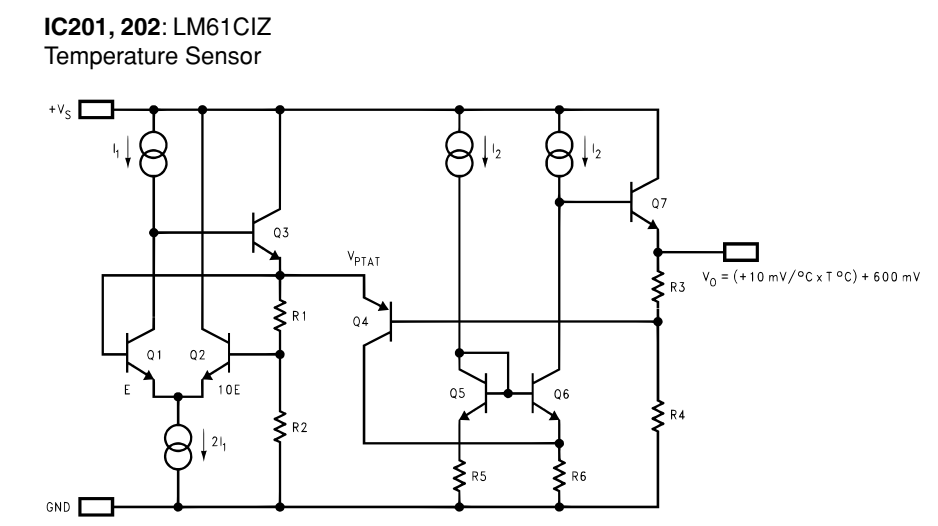


Designation Part List

NO.	DESIGNATION	QTY	PART NAME	MANUFACTURER
82	TE04	1	LM4770	TI
83	TE03	1	LM7805	TI
84	TE03	1	LM7805	TI
85	TE03	1	LM7805	TI

Interchangeable Parts at Manufacture Stage

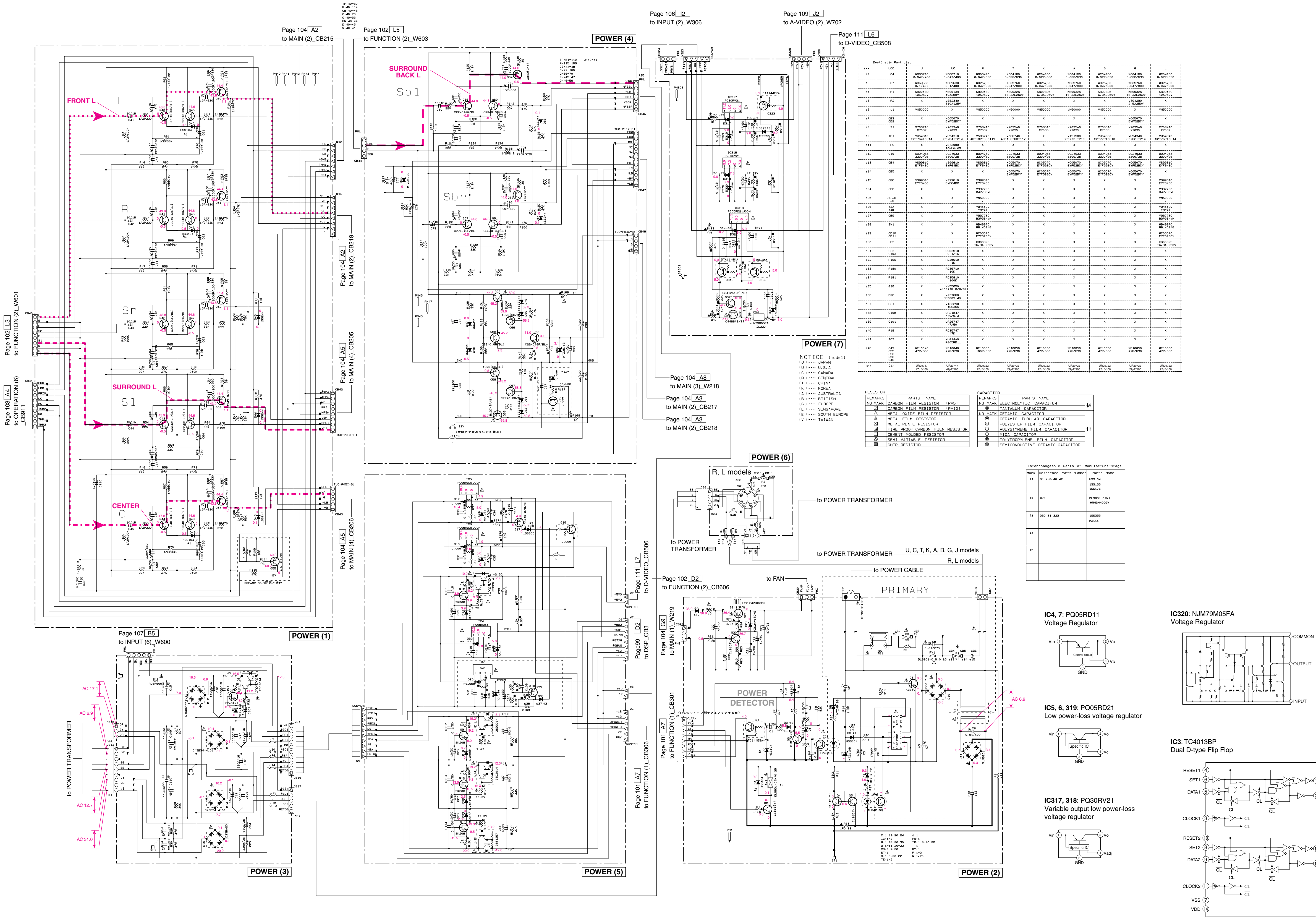
Mark	Reference Parts Number	Parts Name
81	9506	9506-08
82	0007-01b-047-053	0007-01b-047-053
83	0020A/C-0020A/C-0020A/C	0020A/C-0020A/C-0020A/C



★ All voltages are measured with a 10MΩ/V DC electronic volt meter.
 ★ Components having special characteristics are marked with a triangle and must be replaced with parts having specifications equal to those originally installed.
 ★ Schematic diagram is subject to change without notice.

● 電圧は、内部抵抗10MΩの電圧計で測定したものです。
 ● 印のある部品は、安全性確保部品を示しています。部品の交換が必要な場合、パーツリストに記載されている部品を使用してください。
 ● 本回路図は標準回路図です。改良のため予告なく変更することがございます。

SCHEMATIC DIAGRAM (POWER)



Destination Part List

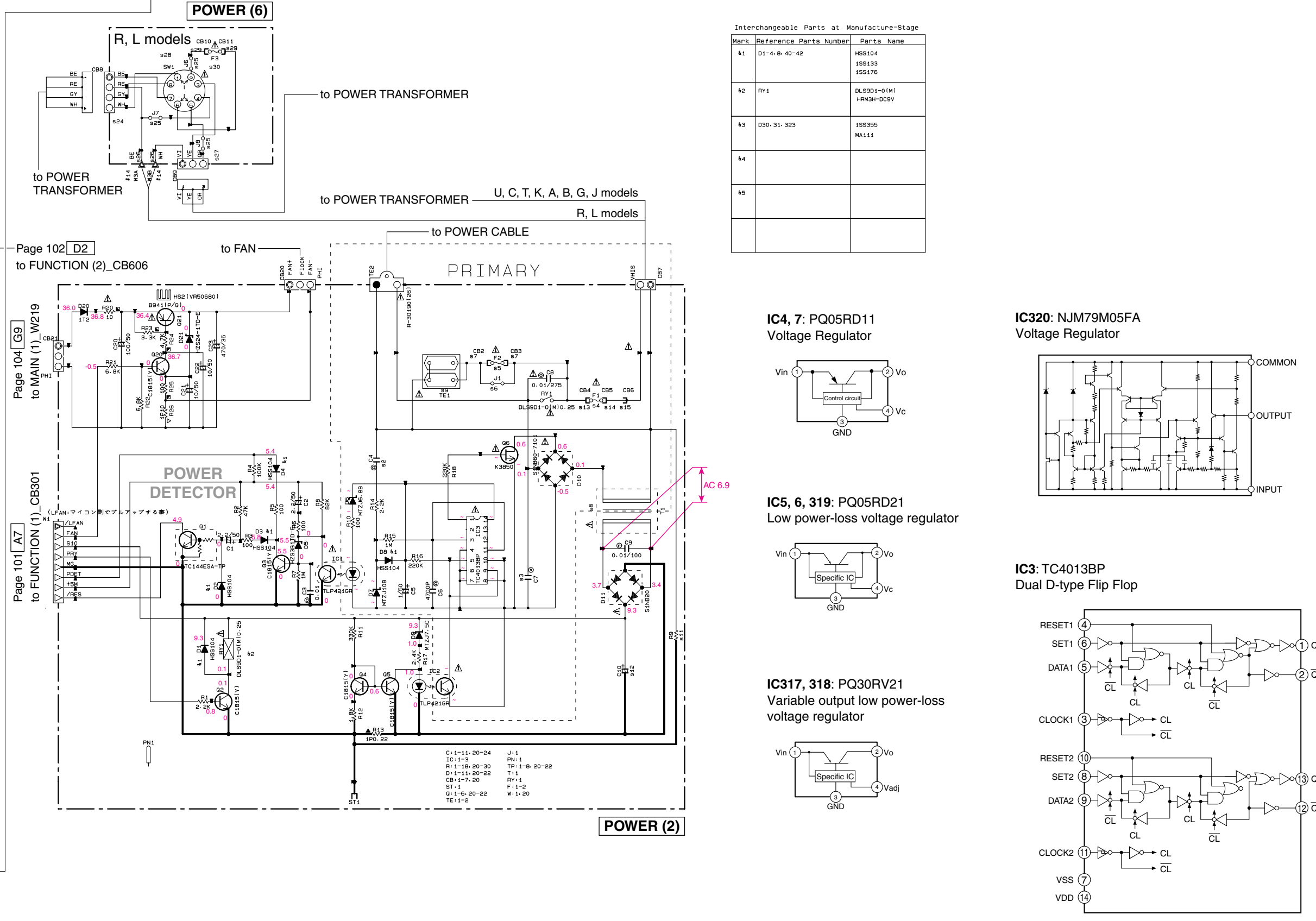
LOC	J	IC	B	T	K	A	B	G	L
82	C4	MS8710	MS8710	MS8710	MS8710	MS8710	MS8710	MS8710	MS8710
83	CF	MS8710	MS8710	MS8710	MS8710	MS8710	MS8710	MS8710	MS8710
84	F1	MS8710	MS8710	MS8710	MS8710	MS8710	MS8710	MS8710	MS8710
85	F2	MS8710	MS8710	MS8710	MS8710	MS8710	MS8710	MS8710	MS8710
86	J1	MS8710	MS8710	MS8710	MS8710	MS8710	MS8710	MS8710	MS8710
87	CB3	MS8710	MS8710	MS8710	MS8710	MS8710	MS8710	MS8710	MS8710
88	T1	MS8710	MS8710	MS8710	MS8710	MS8710	MS8710	MS8710	MS8710
89	TE1	MS8710	MS8710	MS8710	MS8710	MS8710	MS8710	MS8710	MS8710
90	TE2	MS8710	MS8710	MS8710	MS8710	MS8710	MS8710	MS8710	MS8710
91	FB	MS8710	MS8710	MS8710	MS8710	MS8710	MS8710	MS8710	MS8710
92	C10	MS8710	MS8710	MS8710	MS8710	MS8710	MS8710	MS8710	MS8710
93	CB4	MS8710	MS8710	MS8710	MS8710	MS8710	MS8710	MS8710	MS8710
94	CB5	MS8710	MS8710	MS8710	MS8710	MS8710	MS8710	MS8710	MS8710
95	CB6	MS8710	MS8710	MS8710	MS8710	MS8710	MS8710	MS8710	MS8710
96	CB7	MS8710	MS8710	MS8710	MS8710	MS8710	MS8710	MS8710	MS8710
97	CB8	MS8710	MS8710	MS8710	MS8710	MS8710	MS8710	MS8710	MS8710
98	CB9	MS8710	MS8710	MS8710	MS8710	MS8710	MS8710	MS8710	MS8710
99	CB10	MS8710	MS8710	MS8710	MS8710	MS8710	MS8710	MS8710	MS8710
100	CB11	MS8710	MS8710	MS8710	MS8710	MS8710	MS8710	MS8710	MS8710
101	CB12	MS8710	MS8710	MS8710	MS8710	MS8710	MS8710	MS8710	MS8710
102	CB13	MS8710	MS8710	MS8710	MS8710	MS8710	MS8710	MS8710	MS8710
103	CB14	MS8710	MS8710	MS8710	MS8710	MS8710	MS8710	MS8710	MS8710
104	CB15	MS8710	MS8710	MS8710	MS8710	MS8710	MS8710	MS8710	MS8710
105	CB16	MS8710	MS8710	MS8710	MS8710	MS8710	MS8710	MS8710	MS8710
106	CB17	MS8710	MS8710	MS8710	MS8710	MS8710	MS8710	MS8710	MS8710
107	CB18	MS8710	MS8710	MS8710	MS8710	MS8710	MS8710	MS8710	MS8710
108	CB19	MS8710	MS8710	MS8710	MS8710	MS8710	MS8710	MS8710	MS8710
109	CB20	MS8710	MS8710	MS8710	MS8710	MS8710	MS8710	MS8710	MS8710
110	CB21	MS8710	MS8710	MS8710	MS8710	MS8710	MS8710	MS8710	MS8710
111	CB22	MS8710	MS8710	MS8710	MS8710	MS8710	MS8710	MS8710	MS8710
112	CB23	MS8710	MS8710	MS8710	MS8710	MS8710	MS8710	MS8710	MS8710
113	CB24	MS8710	MS8710	MS8710	MS8710	MS8710	MS8710	MS8710	MS8710
114	CB25	MS8710	MS8710	MS8710	MS8710	MS8710	MS8710	MS8710	MS8710
115	CB26	MS8710	MS8710	MS8710	MS8710	MS8710	MS8710	MS8710	MS8710
116	CB27	MS8710	MS8710	MS8710	MS8710	MS8710	MS8710	MS8710	MS8710
117	CB28	MS8710	MS8710	MS8710	MS8710	MS8710	MS8710	MS8710	MS8710
118	CB29	MS8710	MS8710	MS8710	MS8710	MS8710	MS8710	MS8710	MS8710
119	CB30	MS8710	MS8710	MS8710	MS8710	MS8710	MS8710	MS8710	MS8710
120	CB31	MS8710	MS8710	MS8710	MS8710	MS8710	MS8710	MS8710	MS8710
121	CB32	MS8710	MS8710	MS8710	MS8710	MS8710	MS8710	MS8710	MS8710
122	CB33	MS8710	MS8710	MS8710	MS8710	MS8710	MS8710	MS8710	MS8710
123	CB34	MS8710	MS8710	MS8710	MS8710	MS8710	MS8710	MS8710	MS8710
124	CB35	MS8710	MS8710	MS8710	MS8710	MS8710	MS8710	MS8710	MS8710
125	CB36	MS8710	MS8710	MS8710	MS8710	MS8710	MS8710	MS8710	MS8710
126	CB37	MS8710	MS8710	MS8710	MS8710	MS8710	MS8710	MS8710	MS8710
127	CB38	MS8710	MS8710	MS8710	MS8710	MS8710	MS8710	MS8710	MS8710
128	CB39	MS8710	MS8710	MS8710	MS8710	MS8710	MS8710	MS8710	MS8710
129	CB40	MS8710	MS8710	MS8710	MS8710	MS8710	MS8710	MS8710	MS8710
130	CB41	MS8710	MS8710	MS8710	MS8710	MS8710	MS8710	MS8710	MS8710
131	CB42	MS8710	MS8710	MS8710	MS8710	MS8710	MS8710	MS8710	MS8710
132	CB43	MS8710	MS8710	MS8710	MS8710	MS8710	MS8710	MS8710	MS8710
133	CB44	MS8710	MS8710	MS8710	MS8710	MS8710	MS8710	MS8710	MS8710
134	CB45	MS8710	MS8710	MS8710	MS8710	MS8710	MS8710	MS8710	MS8710
135	CB46	MS8710	MS8710	MS8710	MS8710	MS8710	MS8710	MS8710	MS8710
136	CB47	MS8710	MS8710	MS8710	MS8710	MS8710	MS8710	MS8710	MS8710
137	CB48	MS8710	MS8710	MS8710	MS8710	MS8710	MS8710	MS8710	MS8710
138	CB49	MS8710	MS8710	MS8710	MS8710	MS8710	MS8710	MS8710	MS8710
139	CB50	MS8710	MS8710	MS8710	MS8710	MS8710	MS8710	MS8710	MS8710
140	CB51	MS8710	MS8710	MS8710	MS8710	MS8710	MS8710	MS8710	MS8710
141	CB52	MS8710	MS8710	MS8710	MS8710	MS8710	MS8710	MS8710	MS8710
142	CB53	MS8710	MS8710	MS8710	MS8710	MS8710	MS8710	MS8710	MS8710
143	CB54	MS8710	MS8710	MS8710	MS8710	MS8710	MS8710	MS8710	MS8710
144	CB55	MS8710	MS8710	MS8710	MS8710	MS8710	MS8710	MS8710	MS8710
145	CB56	MS8710	MS8710	MS8710	MS8710	MS8710	MS8710	MS8710	MS8710
146	CB57	MS8710	MS8710	MS8710	MS8710	MS8710	MS8710	MS8710	MS8710
147	CB58	MS8710	MS8710	MS8710	MS8710	MS8710	MS8710	MS8710	MS8710

NOTICE (Model)
 (J) JAPAN
 (U) U.S.A.
 (C) CANADA
 (R) GENERAL
 (T) CHINA
 (K) KOREA
 (A) AUSTRALIA
 (B) BRITISH
 (E) EUROPE
 (L) SINGAPORE
 (SE) SOUTH EUROPE
 (V) TAIWAN

RESISTOR	PARTS NAME	CAPACITOR	PARTS NAME
NO MARK	CARBON FILM RESISTOR (P=5)	NO MARK	ELECTROLYTIC CAPACITOR
△	CARBON FILM RESISTOR (P=10)	△	TANTALUM CAPACITOR
□	METAL OXIDE FILM RESISTOR	□	CERAMIC CAPACITOR
◇	METAL FILM RESISTOR	◇	CERAMIC TUBULAR CAPACITOR
○	FINE PORE CARBON FILM RESISTOR	○	POLYESTER FILM CAPACITOR
◎	CEMENT MOLDED RESISTOR	◎	POLYSTYRENE FILM CAPACITOR
⊙	SEM. VARIABLE RESISTOR	⊙	MICA CAPACITOR
⊚	CHIP RESISTOR	⊚	POLYPROPYLENE FILM CAPACITOR
		⊛	SEMICONDUCTIVE CERAMIC CAPACITOR

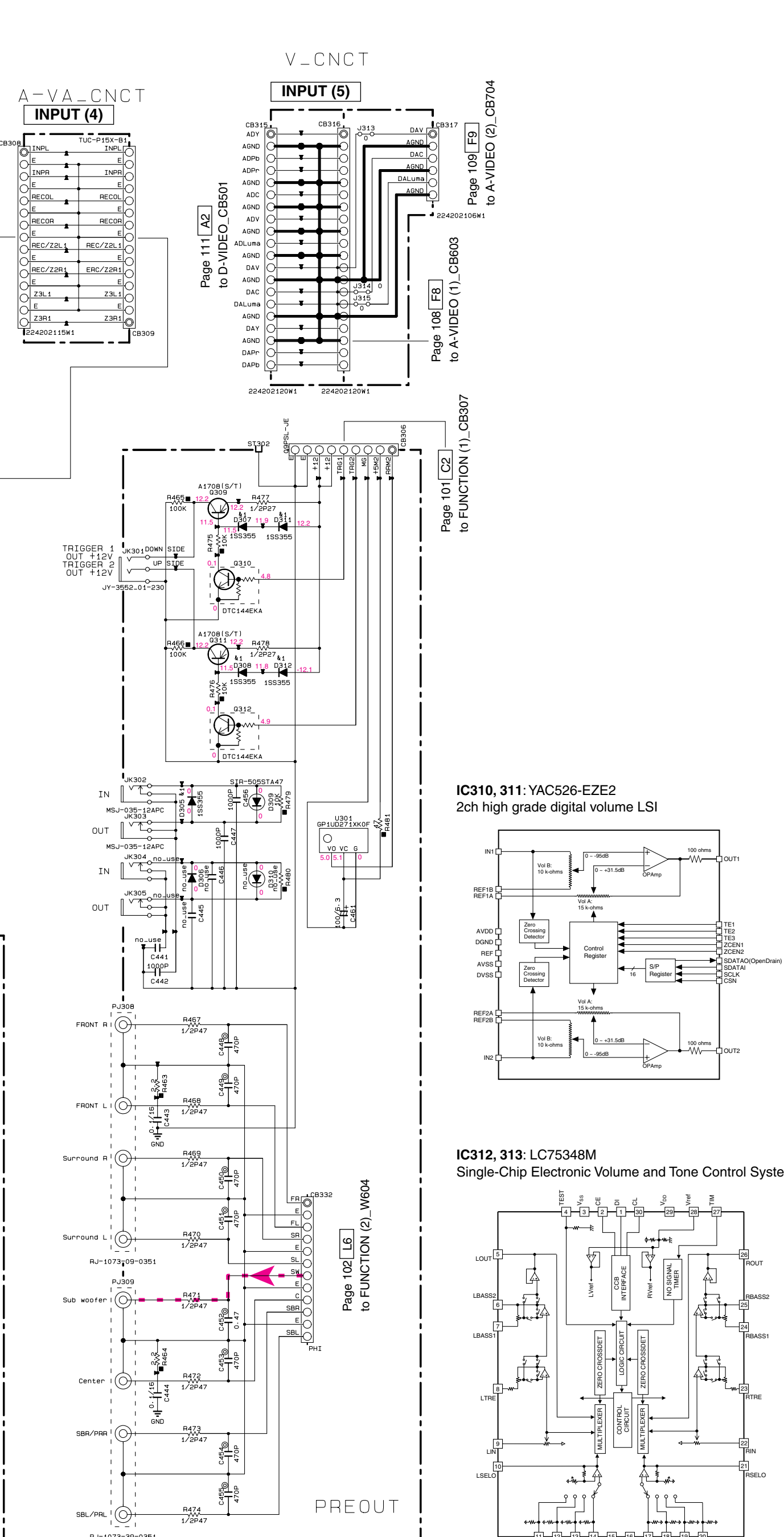
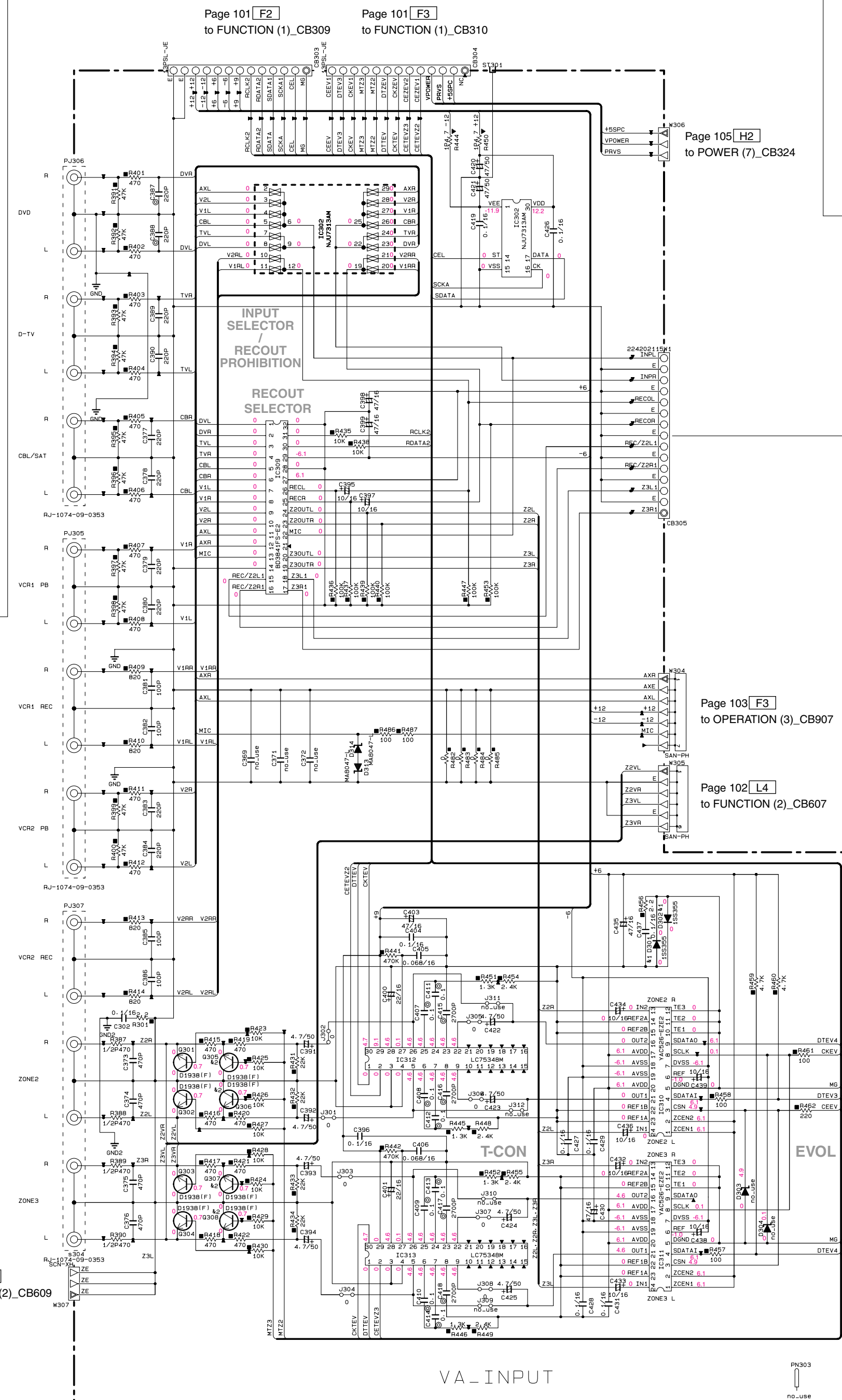
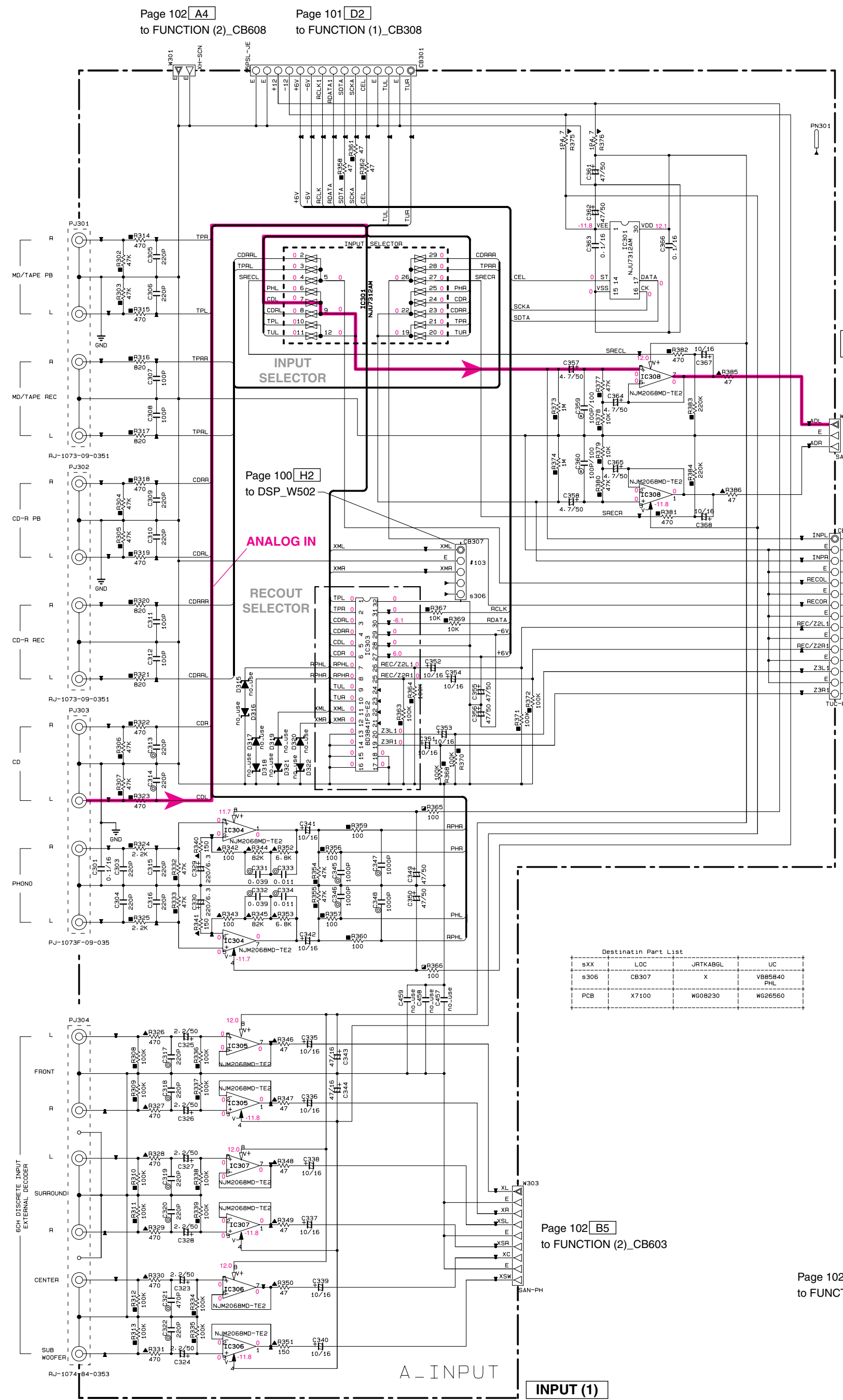
Interchangeable Parts at Manufacture-Stage

Mark	Reference Parts Number	Parts Name
84	D1+8-8-40-42	88514
		15513
		15516
82	RV1	DL5001-01W
		UM900-02V
83	D30-31-323	15335
		46111
84		
85		



* All voltages are measured with a 10MΩ/V DC electronic volt meter.
 * Components having special characteristics are marked !, and must be replaced with parts having specifications equal to those originally installed.
 * Schematic diagram is subject to change without notice.

● 電圧は、内部抵抗10MΩの電圧計で測定したものです。
 ● !印のある部品は、安全性確保部品を示しています。部品の交換が必要な場合、パーツリストに記載されている部品を使用してください。
 ● 本回路図は標準回路図です。改良のため予告なく変更することがございます。



NOTICE (model)

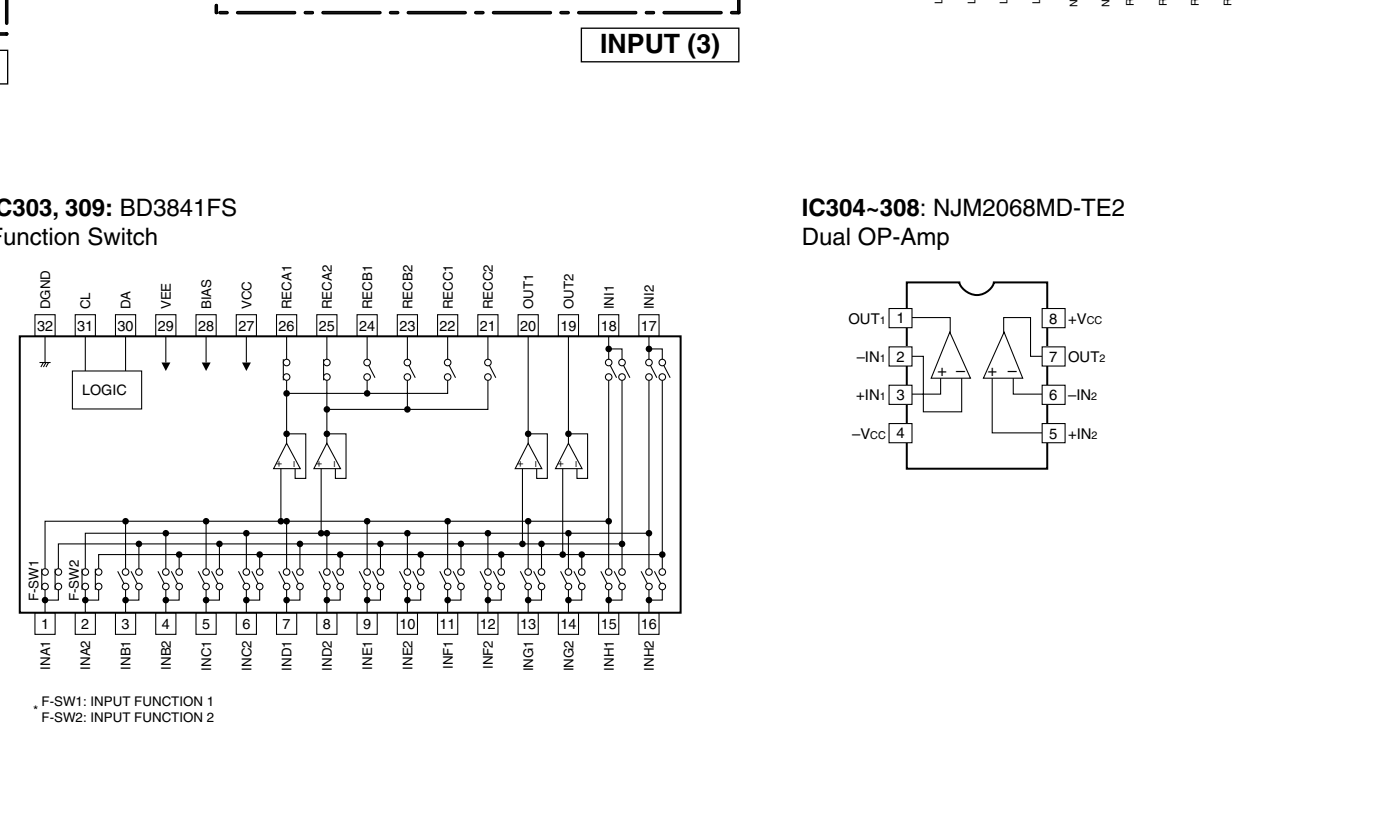
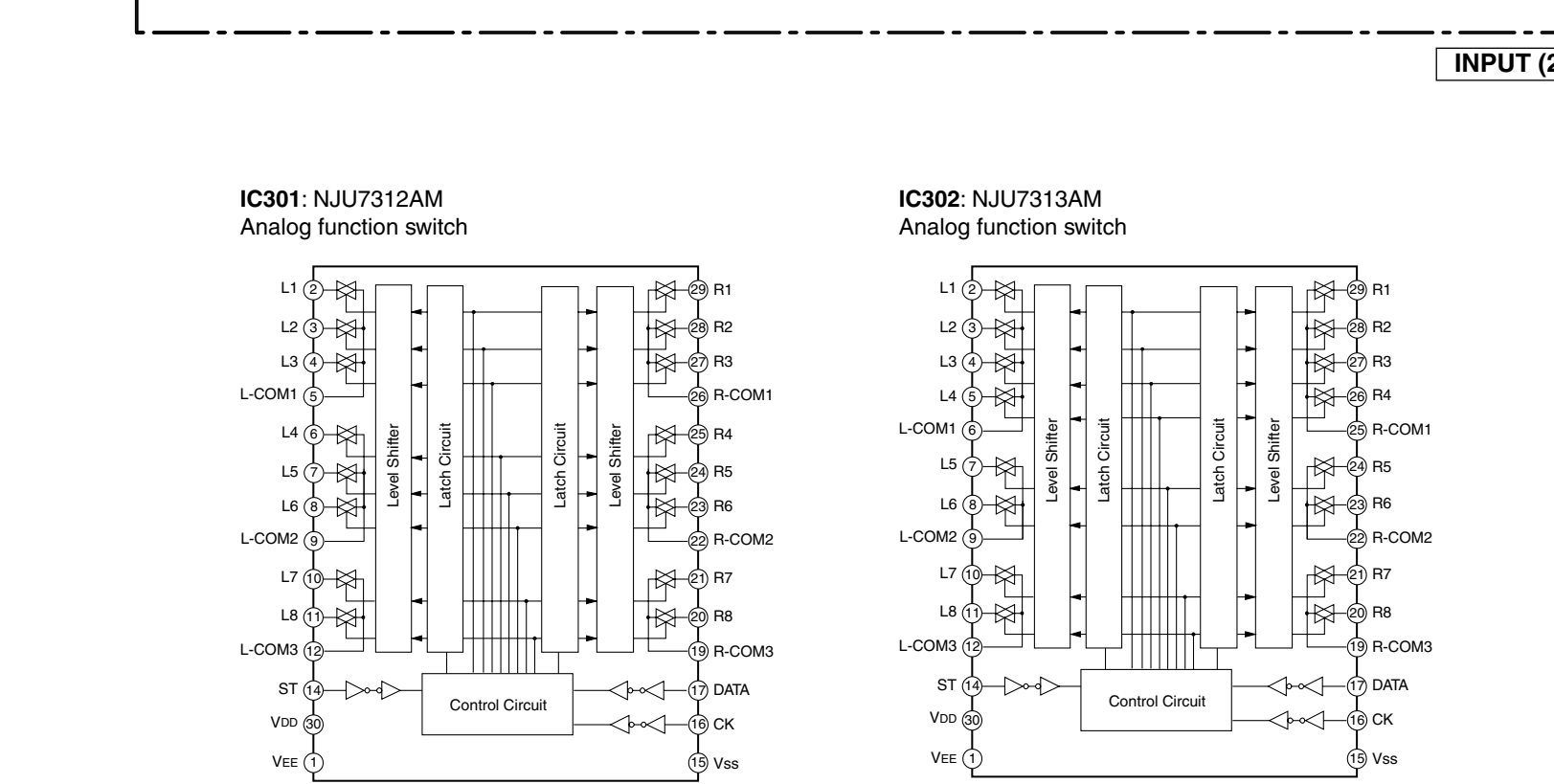
(J)..... JAPAN
 (U)..... U.S.A
 (C)..... CANADA
 (R)..... GENERAL
 (T)..... CHINA
 (K)..... KOREA
 (A)..... AUSTRALIA
 (B)..... BRITISH
 (G)..... EUROPE
 (L)..... SINGAPORE
 (E)..... SOUTH EUROPE
 (V)..... TAIWAN

REMARKS	PARTS NAME
NO MARK	ELECTROLYTIC CAPACITOR
⊙	TANTALUM CAPACITOR
NO MARK	CERAMIC CAPACITOR
⊙	CERAMIC TUBULAR CAPACITOR
⊙	POLYESTER FILM CAPACITOR
⊙	POLYSTYRENE FILM CAPACITOR
⊙	MICA CAPACITOR
⊙	POLYPROPYLENE FILM CAPACITOR
⊙	SEMICONDUCTIVE CERAMIC CAPACITOR
⊙	POLYPHENYLENE SULFIDE FILM CAPACITOR

REMARKS	PARTS NAME
NO MARK	CARBON FILM RESISTOR (P=5)
⊙	CARBON FILM RESISTOR (P=10)
⊙	METAL OXIDE FILM RESISTOR
⊙	METAL FILM RESISTOR
⊙	METAL PLATE RESISTOR
⊙	FINE PROOF CARBON FILM RESISTOR
⊙	CEMENT MOLDED RESISTOR
⊙	SEMI VARIABLE RESISTOR
⊙	CHIP RESISTOR

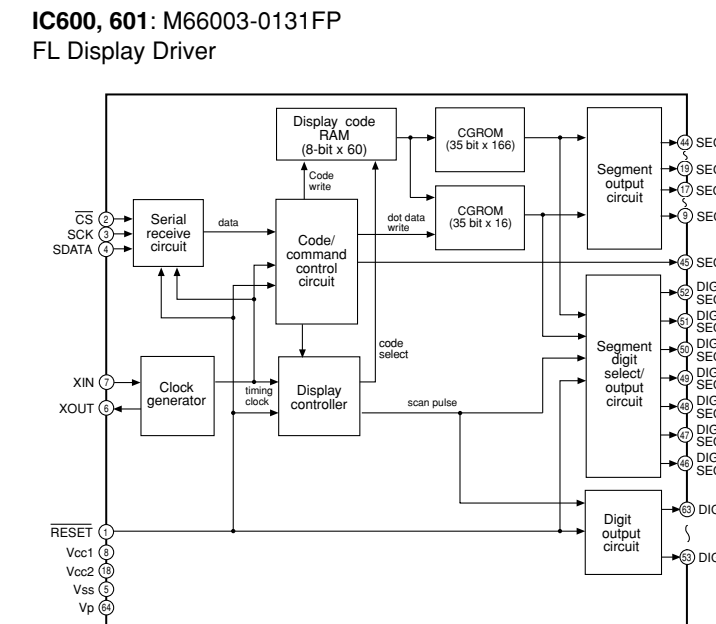
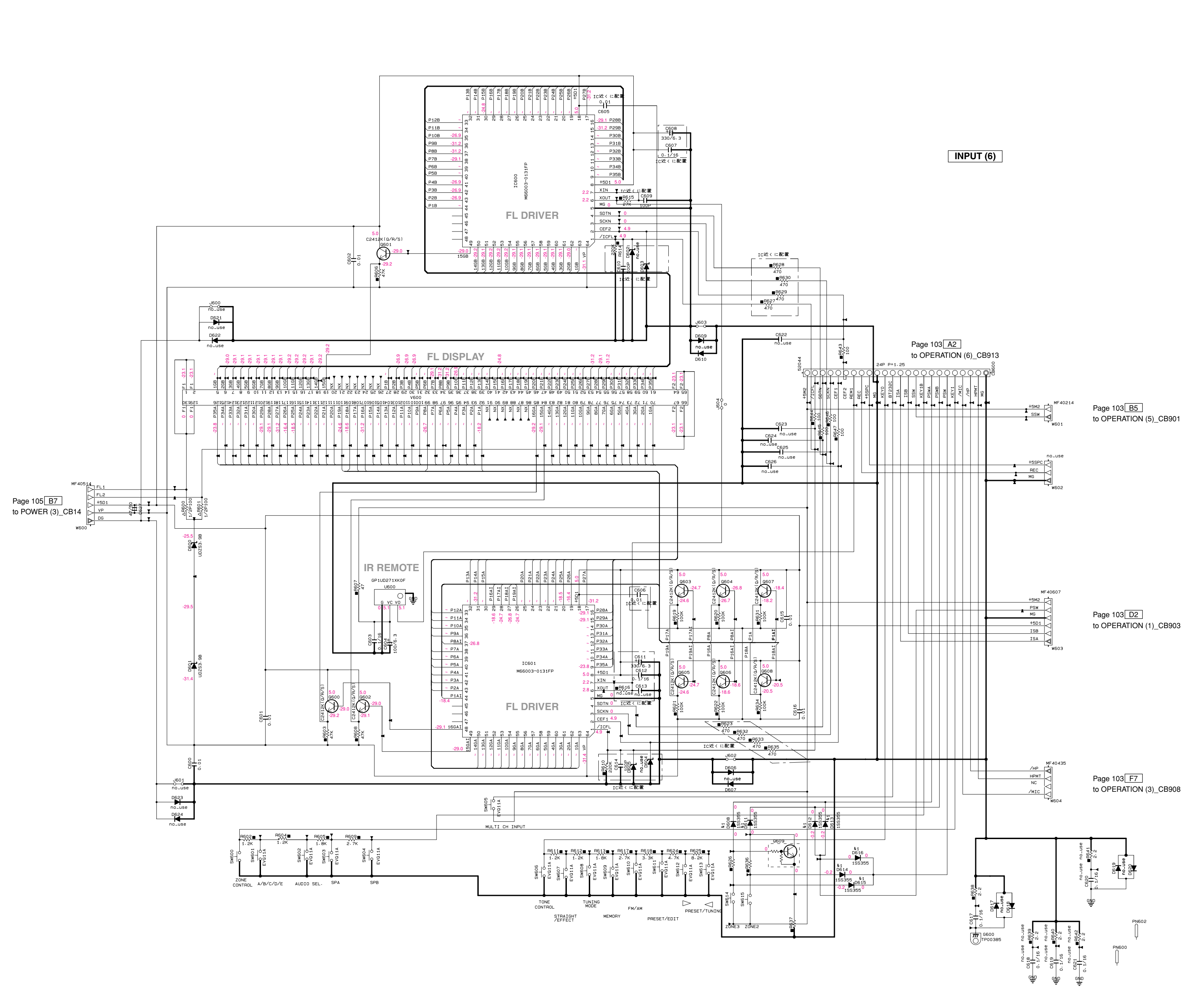
Interchangeable Parts at Manufacture-Stage

Max.	Reference Parts Number	Parts Name
k1	0301-302-305-307-308	155355
k2	311-312-606-611-616	M411
k3	0005-306-307-308	8001800(F) 8001801(F) 8001802(F)
k4		
k5		



★ All voltages are measured with a 10MΩ/V DC electronic volt meter.
 ★ Components having special characteristics are marked †, and must be replaced with parts having specifications equal to those originally installed.
 ★ Schematic diagram is subject to change without notice.

● 電圧は、内部抵抗10MΩの電圧計で測定したものです。
 ● †印のある部品は、安全性確保部品を示しています。部品の交換が必要な場合、パーツリストに記載されている部品を使用してください。
 ● 本回路図は標準回路図です。改良のため予告なく変更することがございます。



Page 103 [A2] to OPERATION (6)_CB913

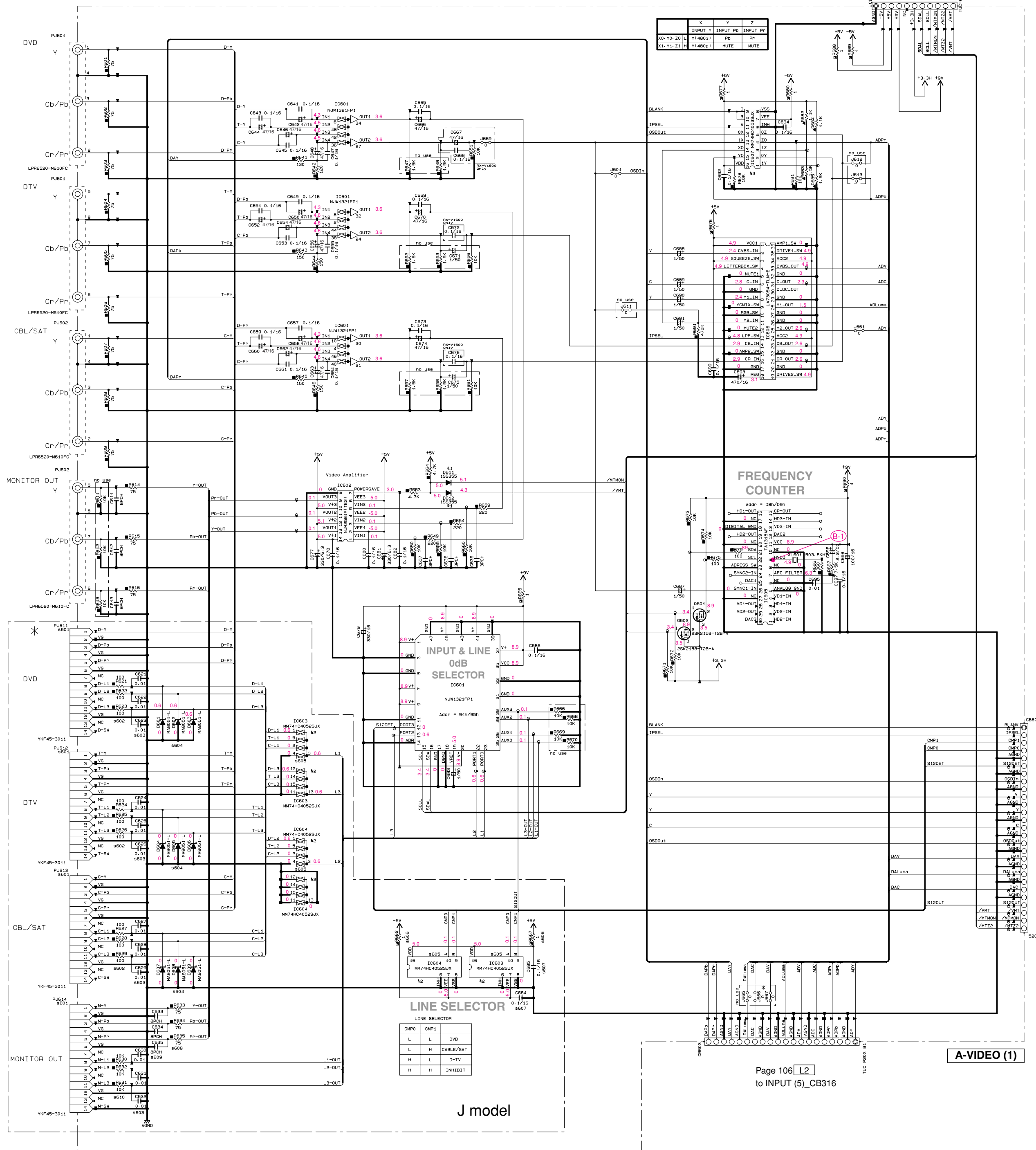
Page 103 [B5] to OPERATION (5)_CB901

Page 103 [D2] to OPERATION (1)_CB903

Page 103 [F7] to OPERATION (3)_CB908

* All voltages are measured with a 10MΩ/V DC electronic volt meter.
 * Components having special characteristics are marked †, and must be replaced with parts having specifications equal to those originally installed.
 * Schematic diagram is subject to change without notice.

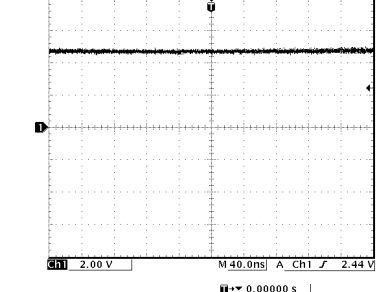
● 電圧は、内部抵抗10MΩの電圧計で測定したものです。
 ● †印のある部品は、安全性確保部品を示しています。部品の交換が必要な場合、パーツリストに記載されている部品を使用してください。
 ● 本回路図は標準回路図です。改良のため予告なく変更することがございます。



Page 106 [L2]
 to INPUT (5)_CB316

A-VIDEO (1)

POINT (B-1) Pin 9 of IC605



RESISTOR

REMARKS	PARTS NAME
NO MARK	CARBON FILM RESISTOR (P=5)
□	CARBON FILM RESISTOR (P=10)
△	METAL OXIDE FILM RESISTOR
◇	METAL FILM RESISTOR
○	GENERAL
①	CHINA
②	KOREA
③	AUSTRALIA
④	BRITISH
⑤	EUROPE
⑥	SINGAPORE
⑦	SOUTH EUROPE
⑧	TAIWAN

CAPACITOR

REMARKS	PARTS NAME
NO MARK	ELECTROLYTIC CAPACITOR
⊖	TANTALUM CAPACITOR
NO MARK	CERAMIC CAPACITOR
⊕	CERAMIC TUBULAR CAPACITOR
⊙	POLYESTER FILM CAPACITOR
⊘	POLYSTYRENE FILM CAPACITOR
⊚	MICA CAPACITOR
⊛	POLYPROPYLENE FILM CAPACITOR
⊜	SEMICONDUCTIVE CERAMIC CAPACITOR
⊝	POLYPHENYLENE SULFIDE FILM CAPACITOR

Destination Part List

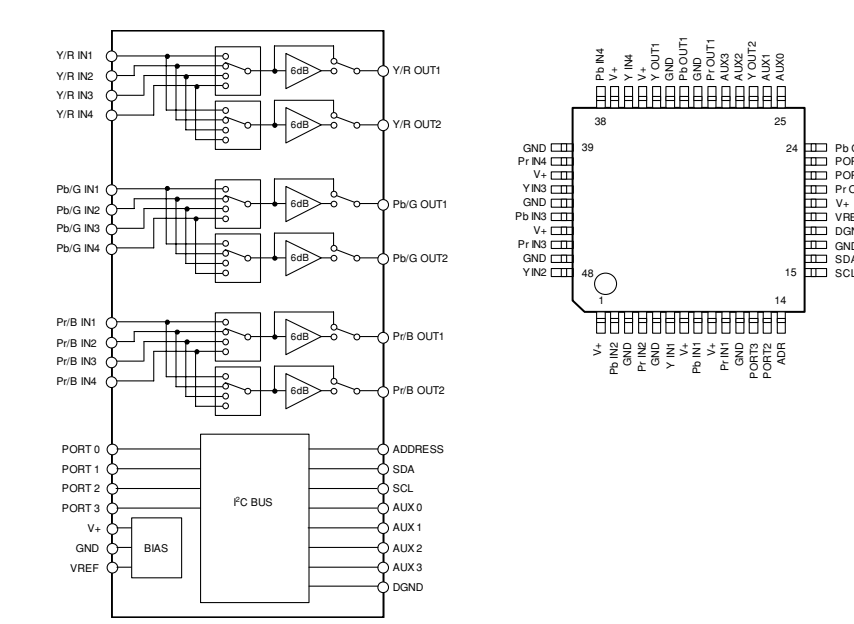
XXXX	LOC	QTY	UIC	REV	T.A.B.S.L
8601	R011	1	000000	X	X
8602	R012	1	000000	X	X
8603	R013	1	000000	X	X
8604	R014	1	000000	X	X
8605	R015	1	000000	X	X
8606	R016	1	000000	X	X
8607	R017	1	000000	X	X
8608	R018	1	000000	X	X
8609	R019	1	000000	X	X
8610	R020	1	000000	X	X

Interchangeable Parts at Manufacture Stage

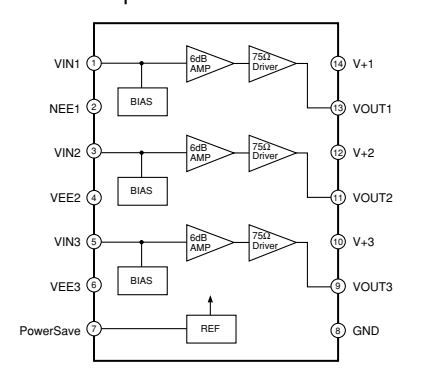
Part No.	Reference Parts Number	Parts Name
81	0811-812-706-771-774	LS3055
82	12003-804	MM74HC4053JX
83	12007-706-716	MM74HC4053JX
84	12701-703	MM74HC4053JX
85	12712	TA1318AF
86	12713	TA1318AF

Page 109 [G9]
 to A-VIDEO (2)_CB703

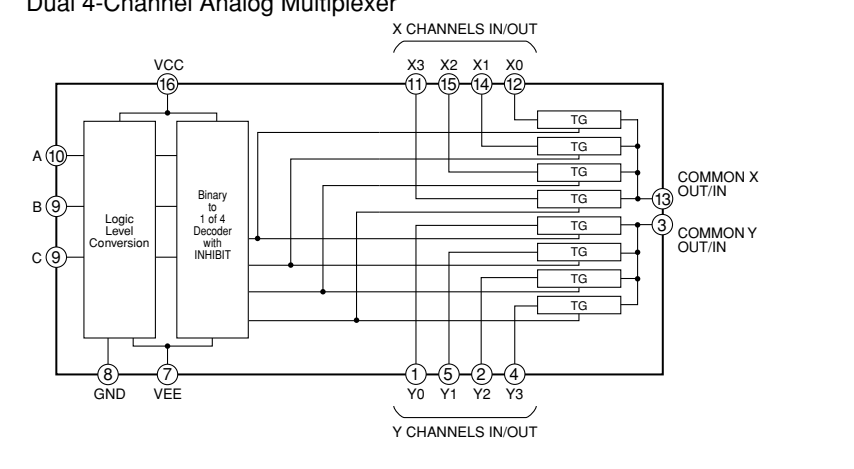
IC601: NJW1321FP1
 Wide Band Video Switch with I²C BUS



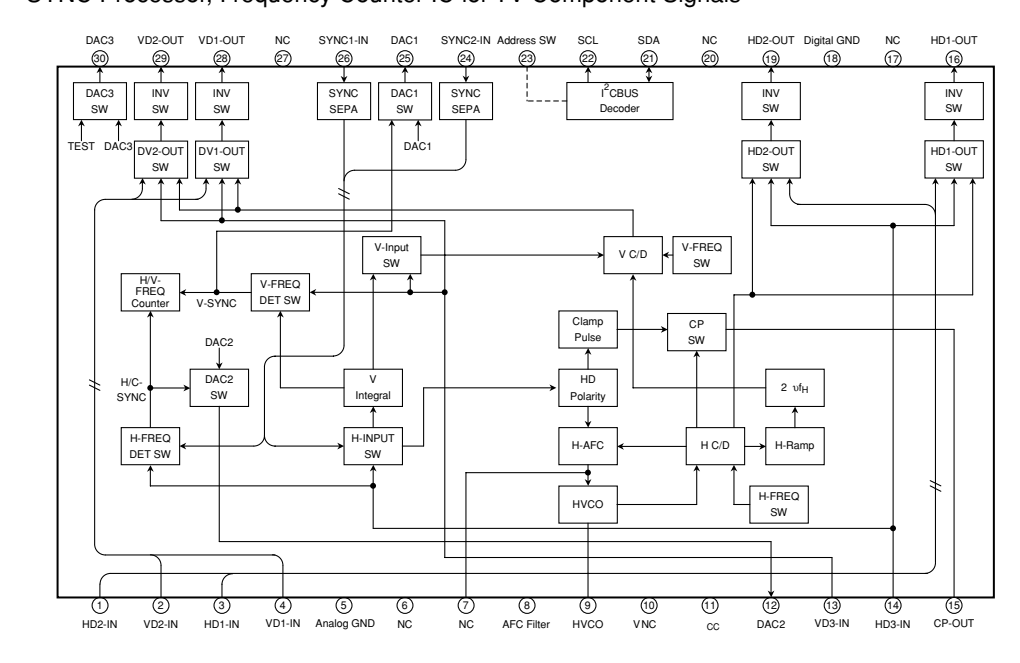
IC602: NJM2581M
 Video Amp



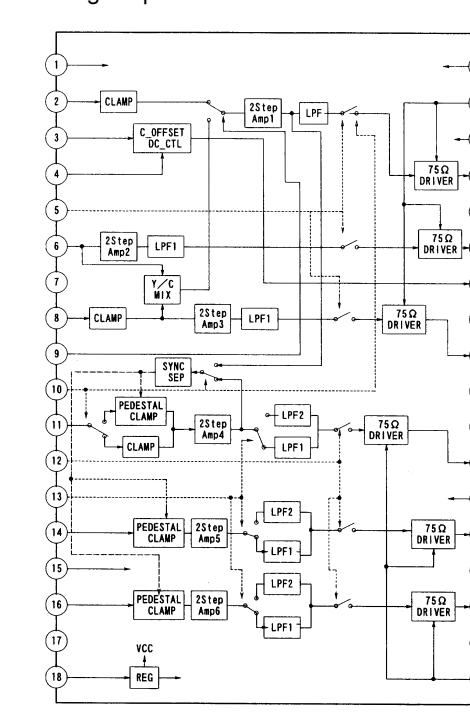
IC603, 604: MM74HC4052SJX
 Dual 4-Channel Analog Multiplexer



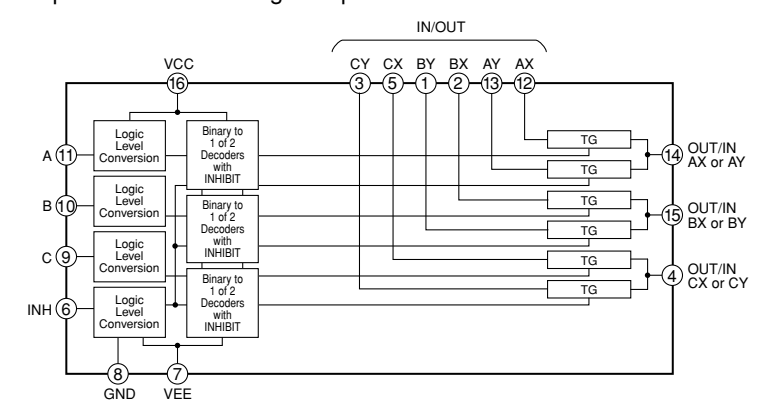
IC605: TA1318AF
 SYNC Processor, Frequency Counter IC for TV Component Signals



IC606: LA73054-TLM-E
 Analog Amp

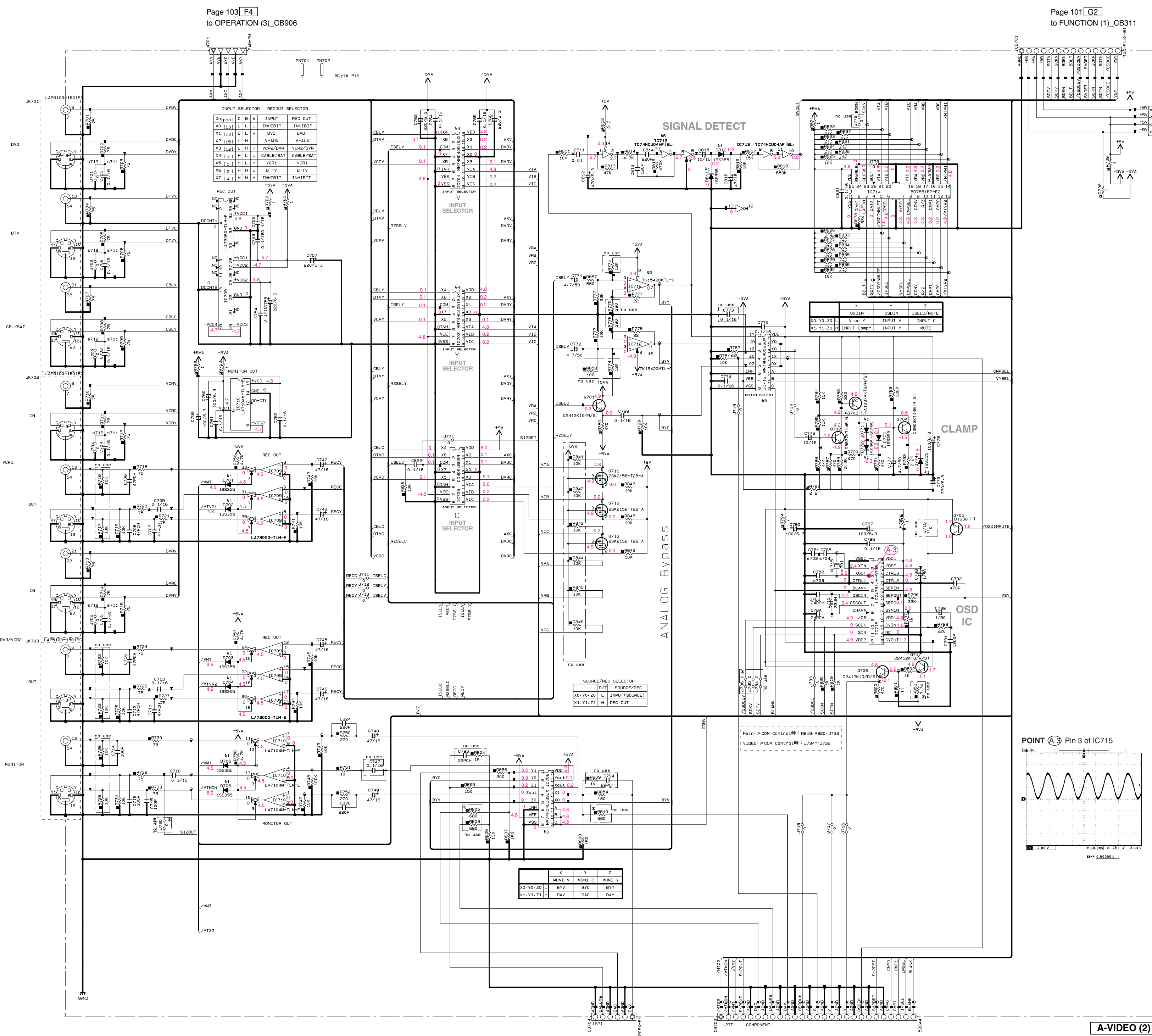


IC607: MM74HC4053JX
 Triple 2-Channel Analog Multiplexer



★ All voltages are measured with a 10MΩ/V DC electronic volt meter.
 ★ Components having special characteristics are marked ▲, and must be replaced with parts having specifications equal to those originally installed.
 ★ Schematic diagram is subject to change without notice.

● 電圧は、内部抵抗10MΩの電圧計で測定したものです。
 ● ▲印のある部品は、安全性確保部品を示しています。部品の交換が必要な場合、パーツリストに記載されている部品を使用してください。
 ● 本回路図は標準回路図です。改良のため予告なく変更することがございます。



Page 101 [G2] to FUNCTION (1)_CB311

Page 103 [F4] to OPERATION (3)_CB906

Page 105 [I2] to POWER (7)_CB325

Destination Part List

MARK	LOC	J	U-C	B-K	T-A	B-S-L
S701	K175	W08140	W08140	W08140	16.31818Hz	16.31818Hz
S702	C781	US06030	US06030	US06030	SPCH	X
S703	C782	US06030	US06030	US06030	SPCH	X
S704	C785	US06030	US06030	US06030	SPCH	X
S711	C783	US19510	US19510	X	X	S1/S2
S712	C784	US19510	US19510	X	X	S1/S2
S713	C786	X	X	R039000	D	R039000

NOTICE (mode 1)

(J)..... JAPAN
 (U)..... U.S.A.
 (C)..... CANADA
 (R)..... GENERAL
 (T)..... CHINA
 (K)..... KOREA
 (A)..... AUSTRALIA
 (B)..... BRITISH
 (G)..... EUROPE
 (L)..... SINGAPORE
 (E)..... SOUTH EUROPE
 (V)..... TAIWAN

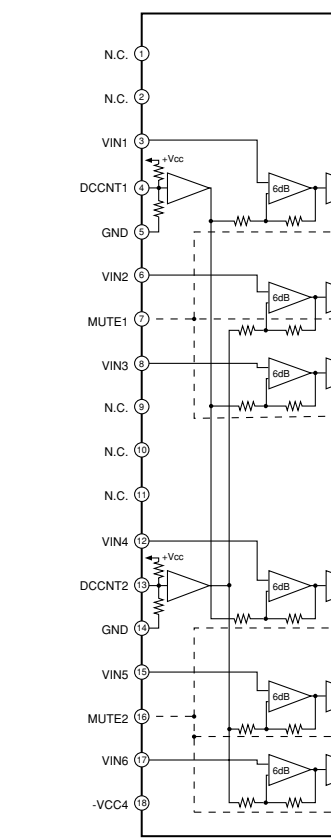
RESISTOR

REMARKS	PARTS NAME
NO MARK	CARBON FILM RESISTOR (P=5)
(J)	CARBON FILM RESISTOR (P=10)
(U)	METAL OXIDE FILM RESISTOR
(A)	METAL FILM RESISTOR
(C)	FIRE PROOF CARBON FILM RESISTOR
(R)	CEMENT MOUNTED RESISTOR
(T)	SEMIVARIABLE RESISTOR
(V)	CHIP RESISTOR

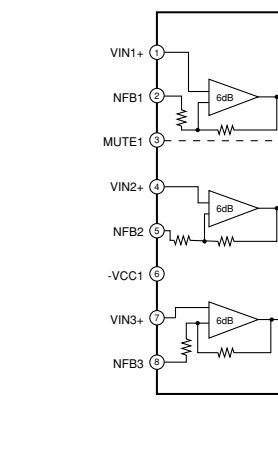
CAPACITOR

REMARKS	PARTS NAME
NO MARK	ELECTROLYTIC CAPACITOR
(J)	TANTALUM CAPACITOR
(C)	CERAMIC CAPACITOR
(T)	CERAMIC TUBULAR CAPACITOR
(P)	POLYESTER FILM CAPACITOR
(S)	POLYSTYRENE FILM CAPACITOR
(M)	MICA CAPACITOR
(V)	POLYPROPYLENE FILM CAPACITOR
(S)	SEMICONDUCTIVE CERAMIC CAPACITOR
(S)	POLYPHENYLENE SULFIDE FILM CAPACITOR

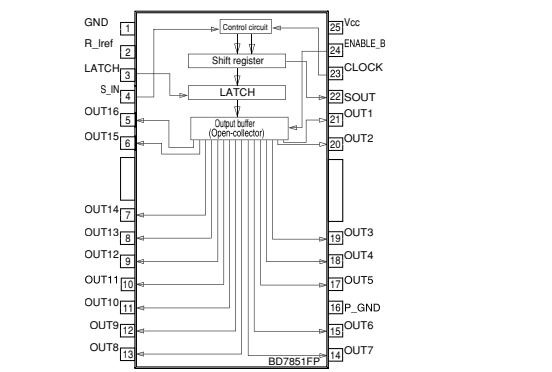
IC709: LA73050-TLM-E Analog Amp



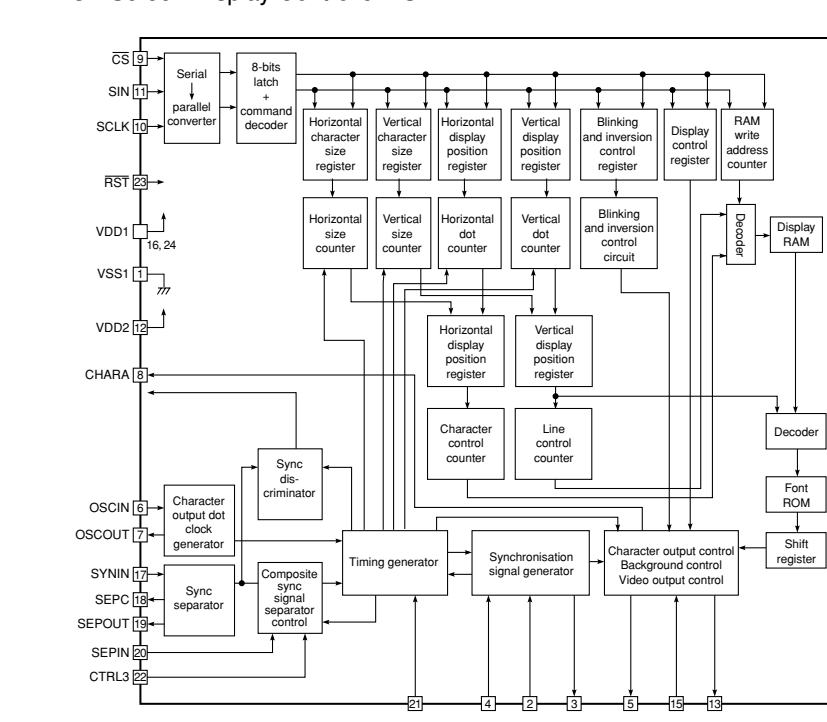
IC710: LA7104M Video Amp



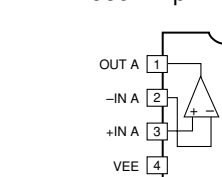
IC714: BD7851FP-E2 LED driver IC with built-in 16bit shift register



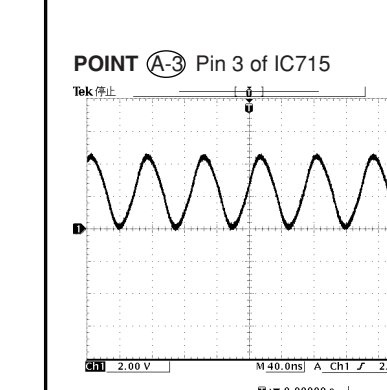
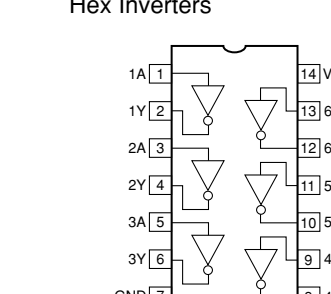
IC715: LC74781JM-9798 On-Screen Display Controller LSI



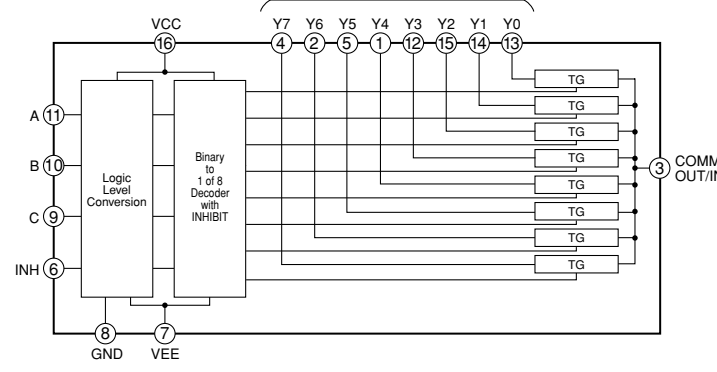
IC712: TK15420M Video Amp



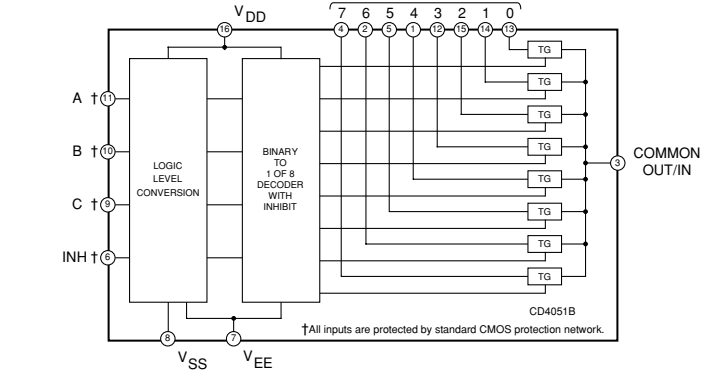
IC713: TC74HC04AFEL Hex Inverters



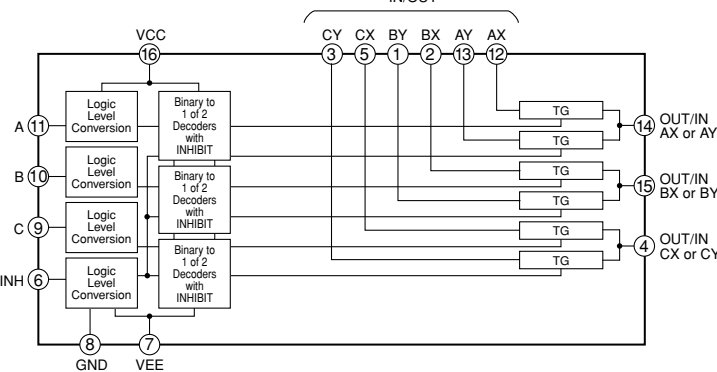
IC701, 703: MM74HC4051SJX 8-Channel Analog Multiplexer



IC705: CD4051BNSR Single 8-Channel multiplexer

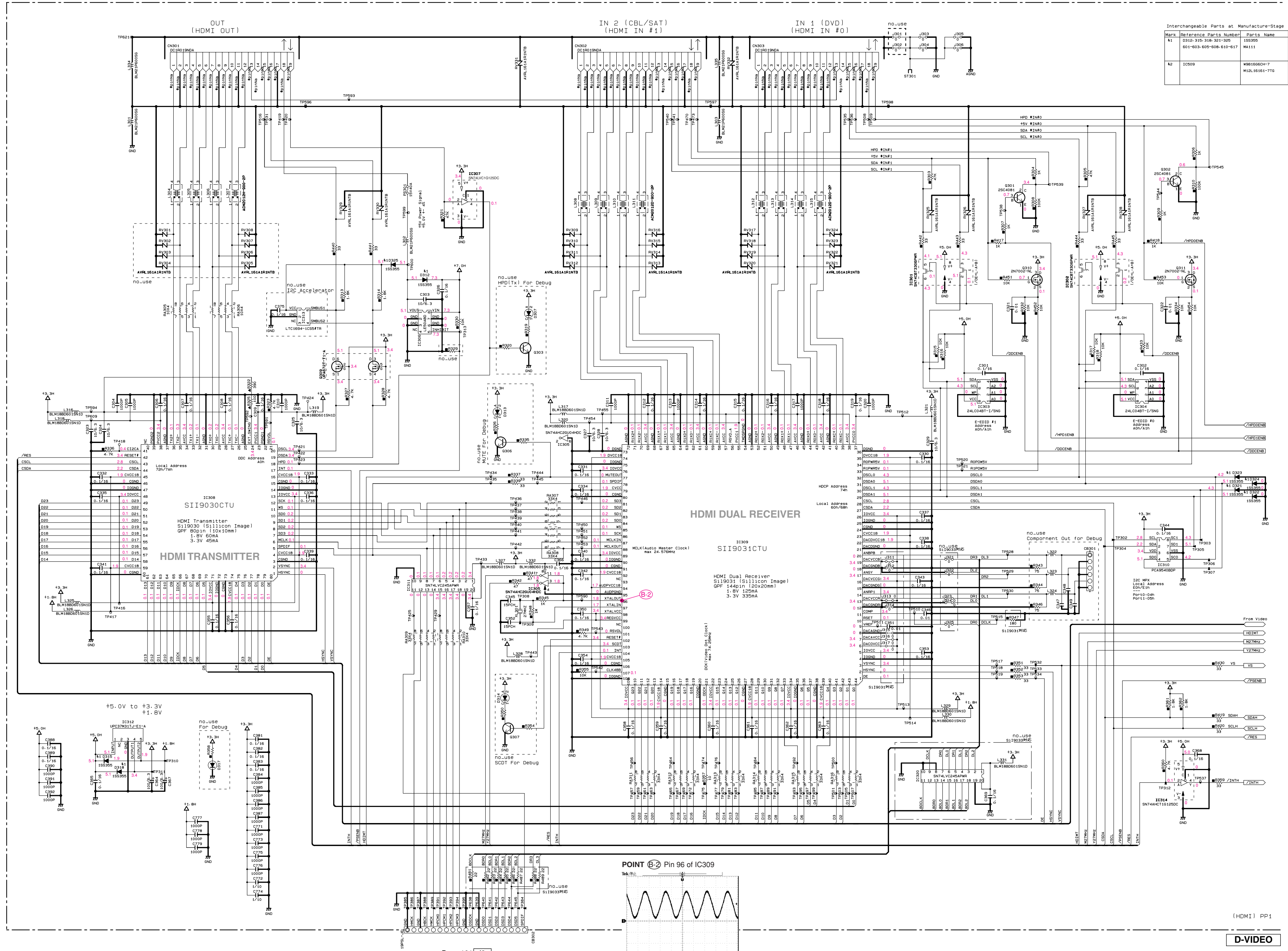


IC708, 716: MM74HC4053SJX Triple 2-Channel Analog Multiplexer

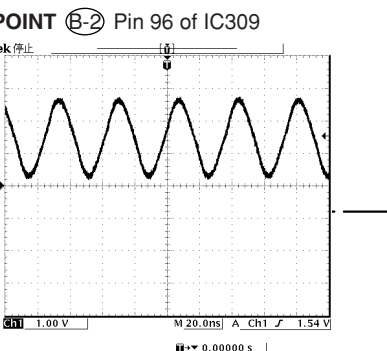
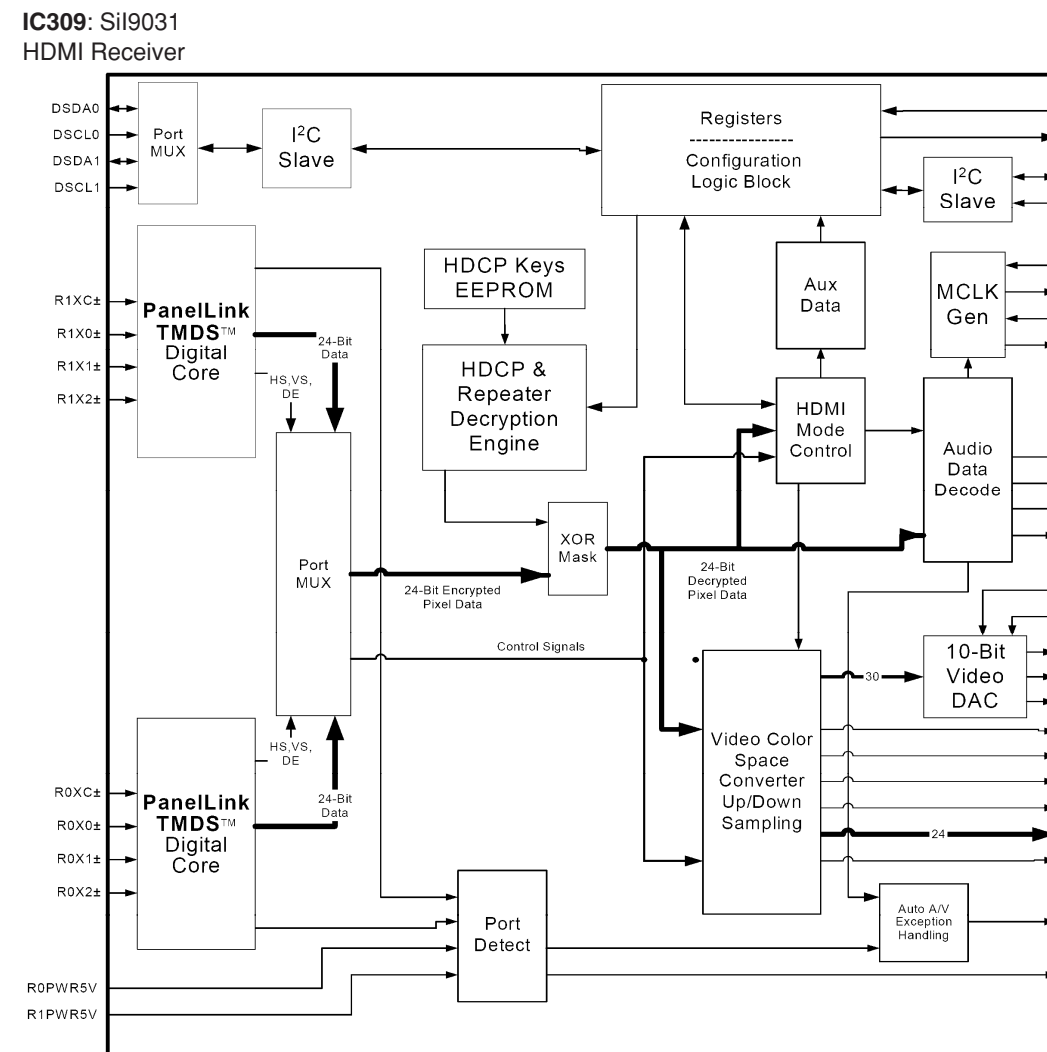
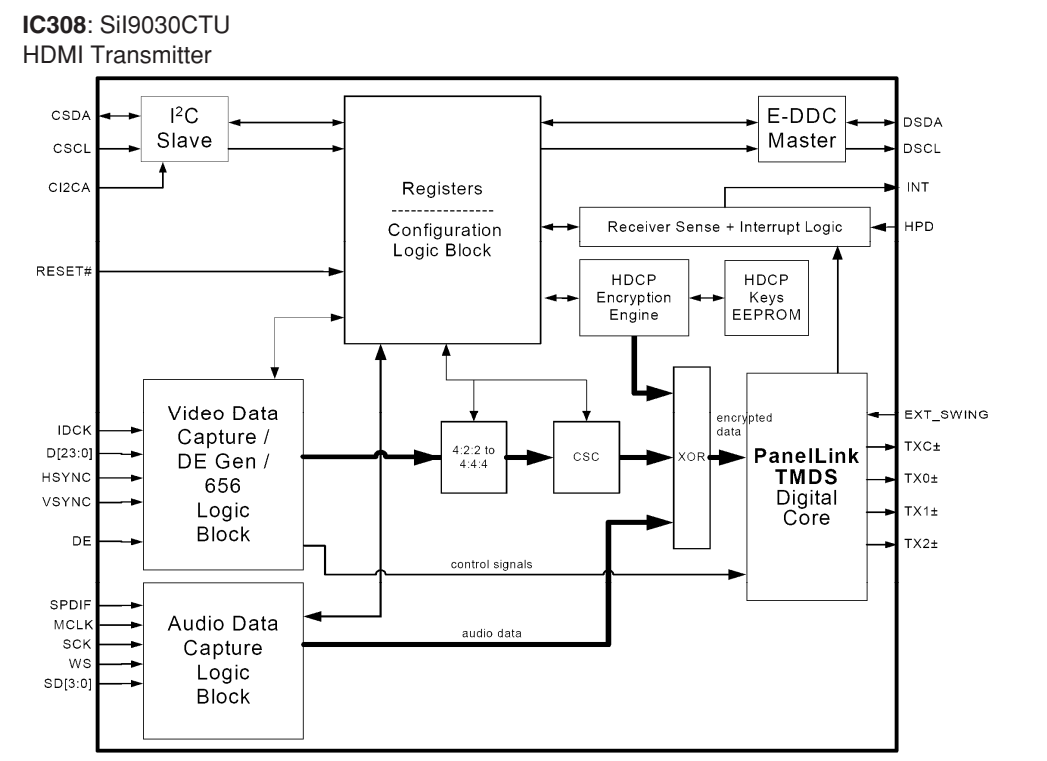


* All voltages are measured with a 10MΩ/V DC electronic volt meter.
 * Components having special characteristics are marked !, and must be replaced with parts having specifications equal to those originally installed.
 * Schematic diagram is subject to change without notice.

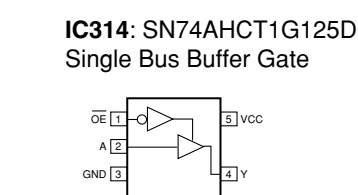
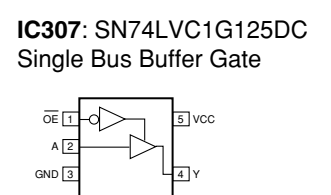
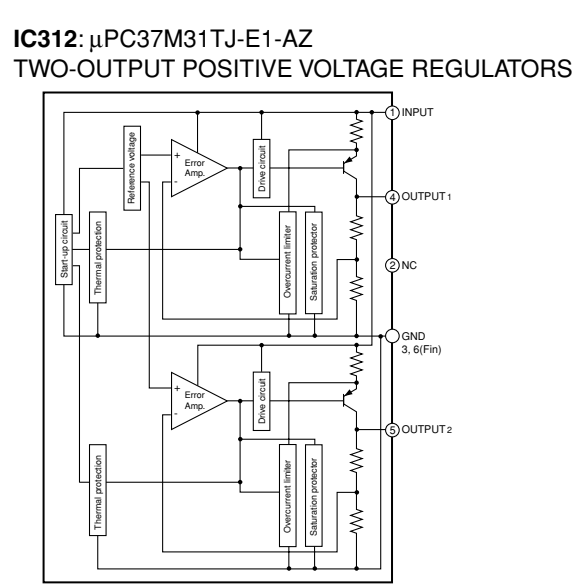
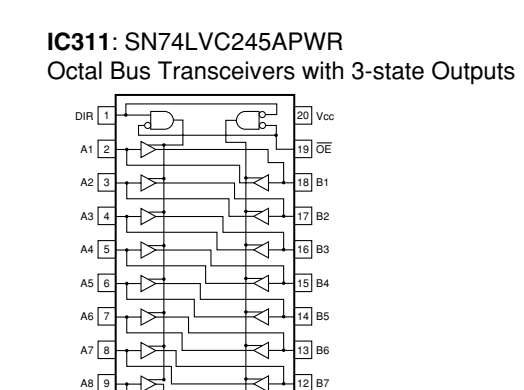
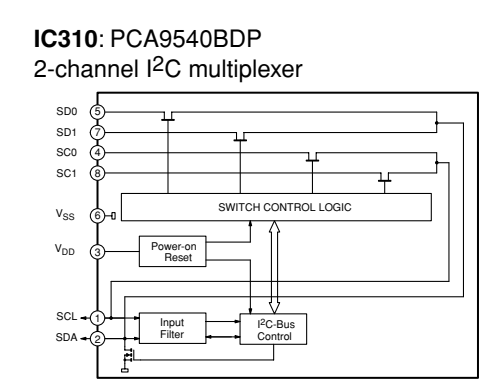
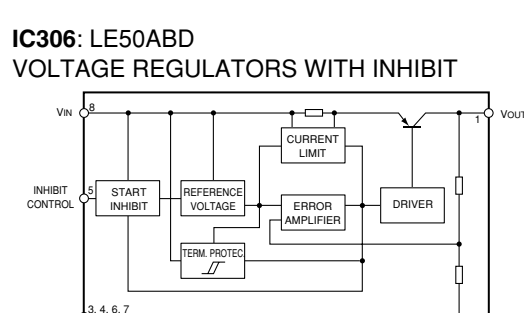
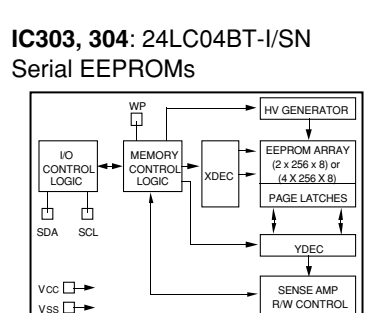
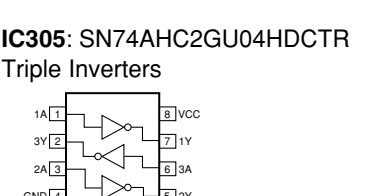
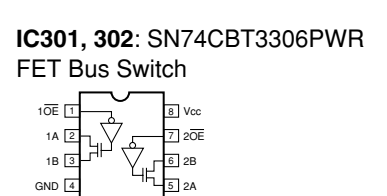
● 電圧は、内部抵抗10MΩの電圧計で測定したものです。
 ● !印のある部品は、安全性確保部品を示しています。部品の交換が必要な場合、パーツリストに記載されている部品を使用してください。
 ● 本回路図は標準回路図です。改良のため予告なく変更することがございます。



Interchangeable Parts at Manufacture Stage		
Part	Reference Data Number	Part Name
41	0310-310-310-321-305	100305
	001-003-009-008-010-017	M1111
42	12009	W010000H-7
		W1016141-710

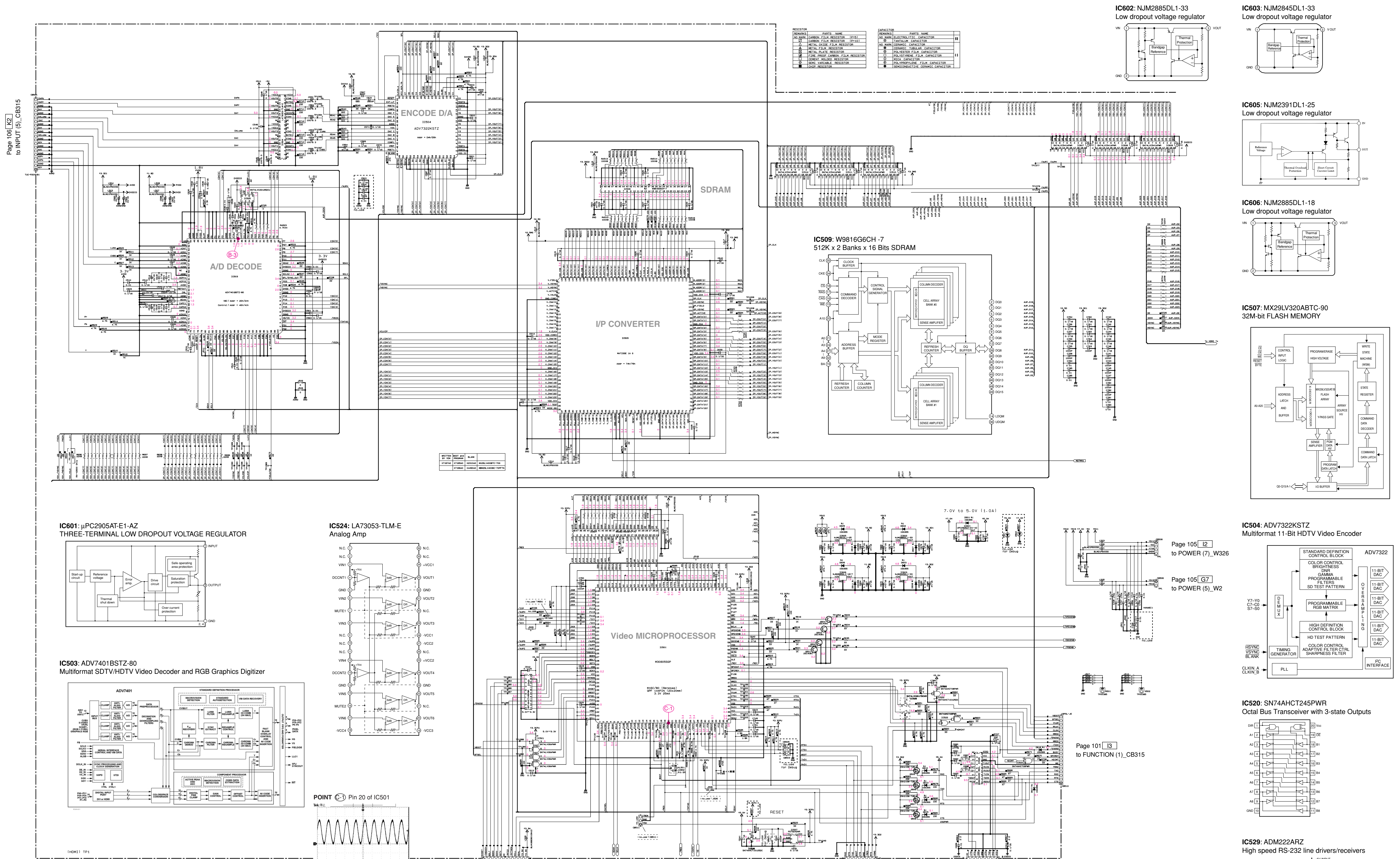


Page 101 13 to FUNCTION (1)_CB314



★ All voltages are measured with a 10MΩV DC electronic volt meter.
 ★ Components having special characteristics are marked with a triangle and must be replaced with parts having specifications equal to those originally installed.
 ★ Schematic diagram is subject to change without notice.

● 電圧は、内部抵抗10MΩの電圧計で測定したものです。
 ● 印のある部品は、安全性確保部品を示しています。部品の交換が必要な場合、パーツリストに記載されている部品を使用してください。
 ● 本回路図は標準回路図です。改良のため予告なく変更することがございます。



Page 106 | I2 | to INPUT (5)_CB315

Page 101 | I2 | to FUNCTION (1)_CB313

Page 103 | E5 | to OPERATION (2)_CB910

Page 105 | I2 | to POWER (7)_W326

Page 105 | G7 | to POWER (5)_W2

Page 101 | I3 | to FUNCTION (1)_CB315

- * All voltages are measured with a 10MΩ/V DC electronic volt meter.
- * Components having special characteristics are marked !, and must be replaced with parts having specifications equal to those originally installed.
- * Schematic diagram is subject to change without notice.

- 電圧は、内部抵抗10MΩの電圧計で測定したものです。
- !印のある部品は、安全性確保部品を示しています。部品の交換が必要な場合、パーツリストに記載されている部品を使用してください。
- 本回路図は標準回路図です。改良のため予告なく変更することがございます。

